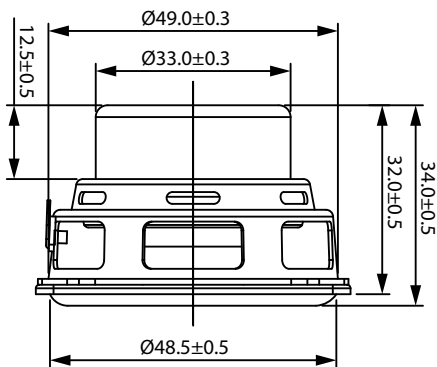
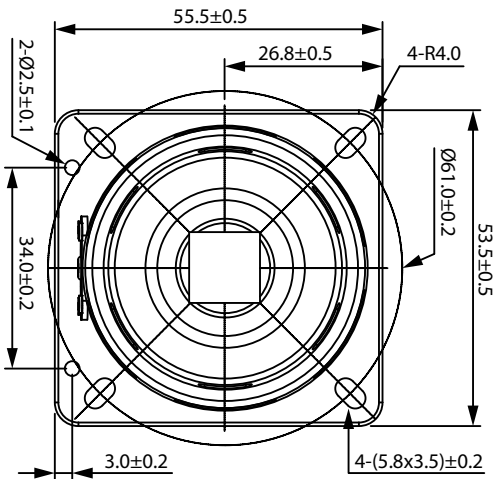




2" Dual Neo Full-Range 15W 4 ohm

CE54N-4



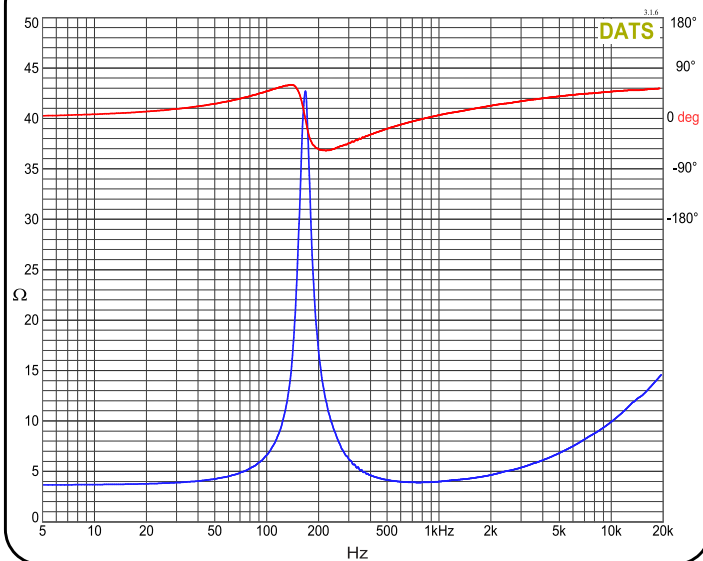
PARAMETERS

Impedance	4 ohms
Re	3.6 ohms
Le	0.11 mH @ 10kHz
Fs	168 Hz
Qms	6.77
Qes	0.63
Qts	0.58
Mms	2.4 g
Cms	0.37 mm/N
Sd	14.5 cm ²
Vd	2.03 cm ³
BL	3.82 Tm
Vas	0.111 liters
Xmax	1.4 mm
VC Diameter	25 mm
SPL	84 dB @ 2.83V/1m
RMS Power Handling (AES 426B)	15 watts
Usable Frequency Range (Hz)	150 - 17,000 Hz

FEATURES

- Dual Neodymium motor structure for increased output
- Delivers crisp, clear audio, ensuring an immersive listening experience
- High-quality audio solutions without breaking the bank, ideal for budget-conscious projects
- Suitable for commercial installations, DIY projects, art exhibits, and more

IMPEDANCE/PHASE



FREQUENCY RESPONSE

