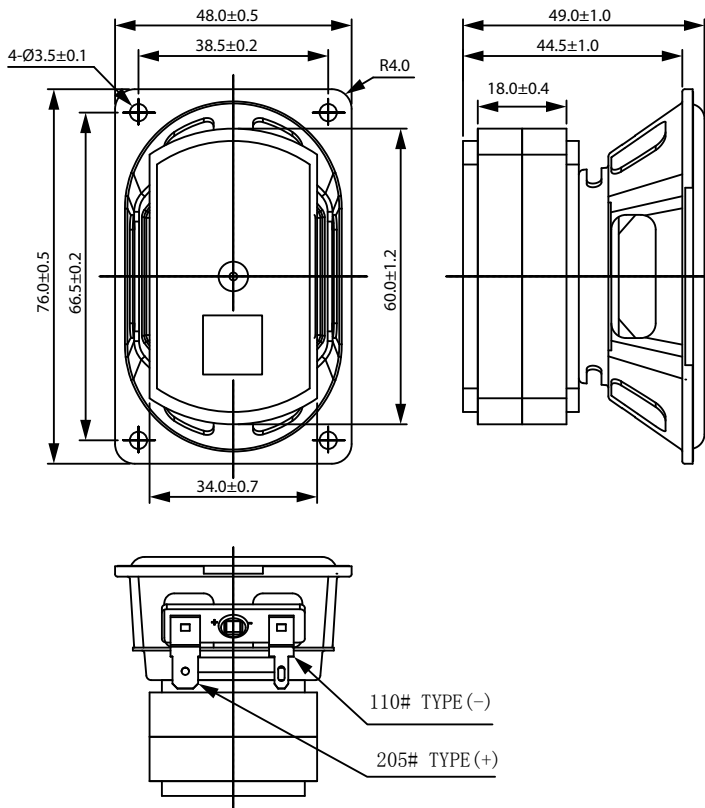




2"x3" Racetrack Full-Range 10W 16 ohm

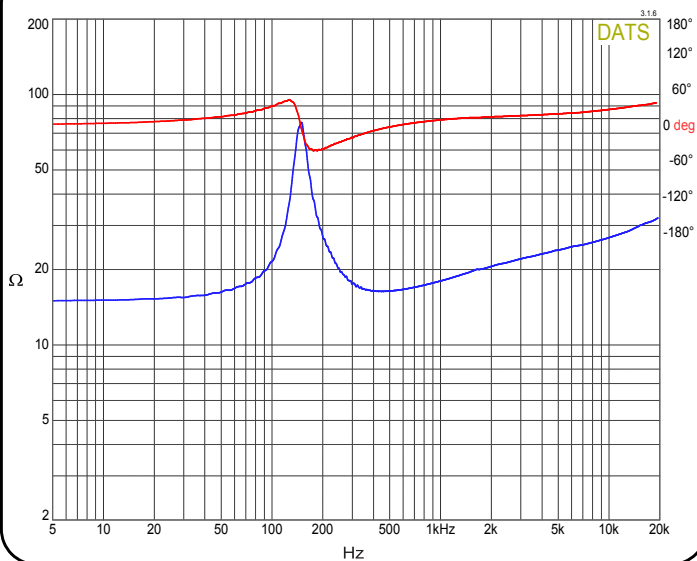
CE4876-16



PARAMETERS

Impedance	16 ohms
Re	15.0 ohms
Le	0.44 mH @ 1kHz
Fs	150 Hz
Qms	5.87
Qes	1.41
Qts	1.14
Mms	1.9 g
Cms	0.591 mm/N
Sd	26.3 cm ²
Vd	6.58 cm ³
BL	4.37 Tm
Vas	0.57 liters
Xmax	2.5 mm
VC Diameter	19 mm
SPL	80 dB @ 2.83V/1m
RMS Power Handling (AES 426B)	10 watts
Usable Frequency Range (Hz)	150 - 17,000 Hz

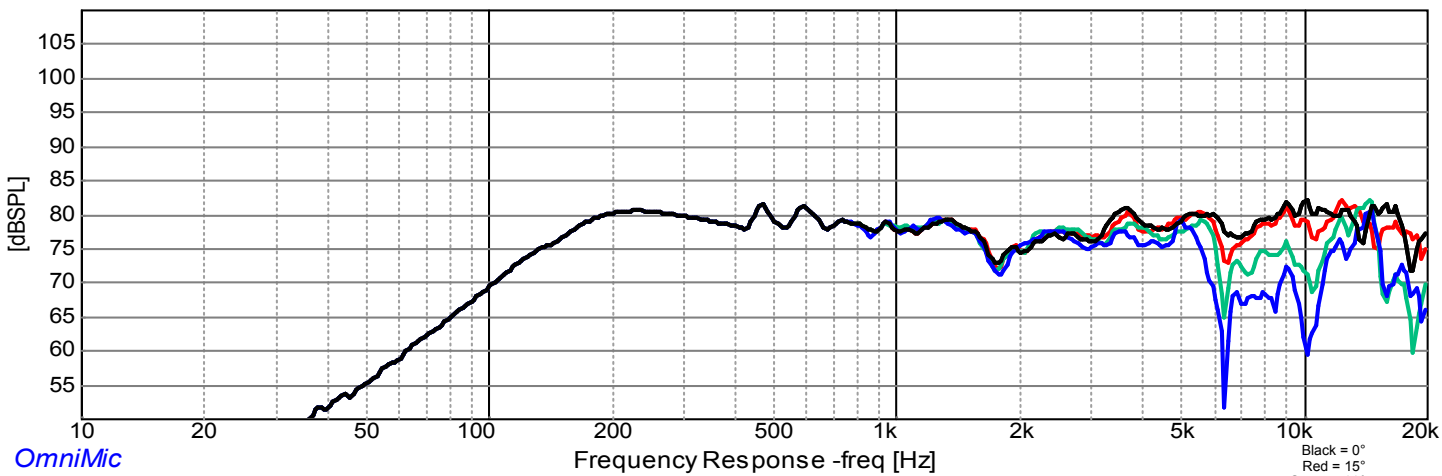
IMPEDANCE/PHASE



FEATURES

- High economic value
- Delivers crisp, clear audio, ensuring an immersive listening experience
- High-quality audio solutions without breaking the bank, ideal for budget-conscious projects
- Suitable for commercial installations, DIY projects, art exhibits, and more

FREQUENCY RESPONSE



Note: 1/24th octave smoothing - near field response included in graph below 450 Hz.