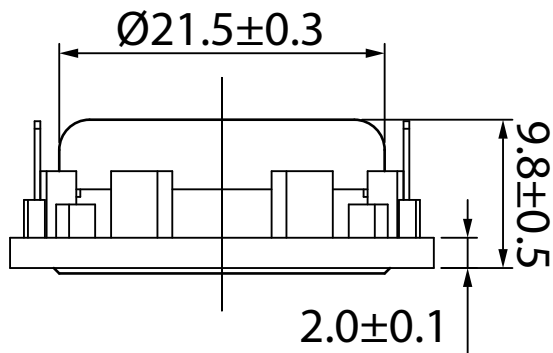
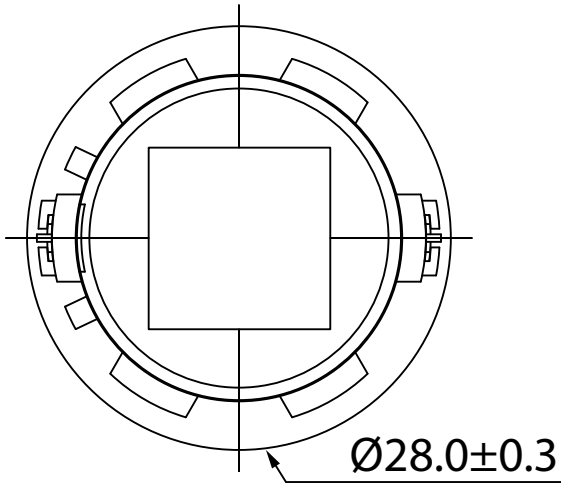




1" Neo Extended Range 2W 4 ohm

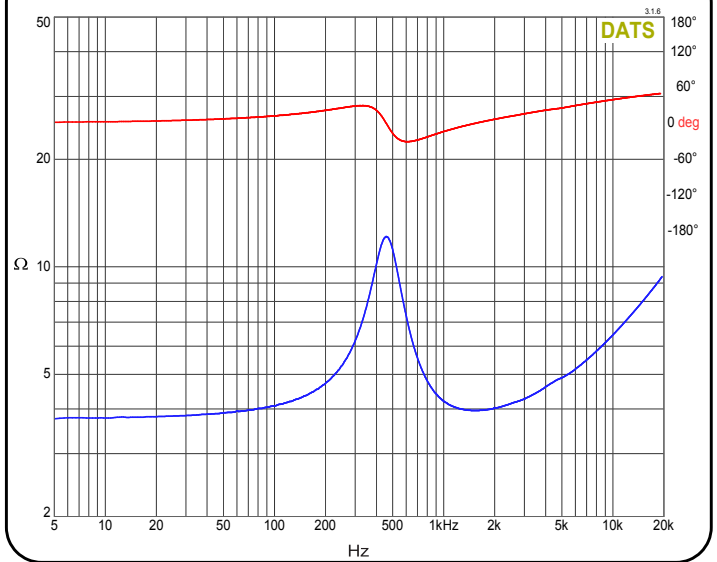
CE28N-4



PARAMETERS

Impedance	4 ohms
Re	3.79 ohms
Le	0.06 mH @ 10kHz
Fs	456 Hz
Qms	2.73
Qes	1.24
Qts	0.85
Mms	0.29 g
Cms	0.42 mm/N
Sd	3.1 cm ²
Vd	0.11 cm ³
BL	1.56 Tm
Vas	0.006 liters
Xmax	0.35 mm
VC Diameter	16 mm
SPL	81 dB @ 2.83V/1m
RMS Power Handling (AES 426B)	2 watts
Usable Frequency Range (Hz)	400 - 20,000 Hz

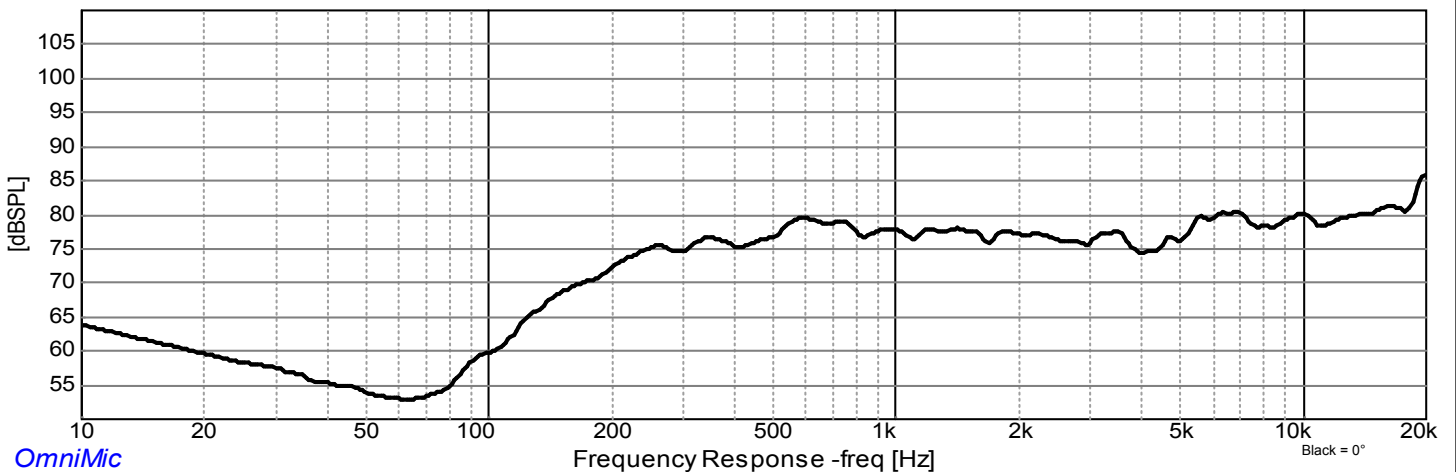
IMPEDANCE/PHASE



FEATURES

- Delivers crisp, clear audio, ensuring an immersive listening experience
- High-quality audio solutions without breaking the bank, ideal for budget-conscious projects
- Suitable for commercial installations, DIY projects, art exhibits, and more

FREQUENCY RESPONSE



Note: 1/24th octave smoothing - near field response included in graph below 450 Hz.