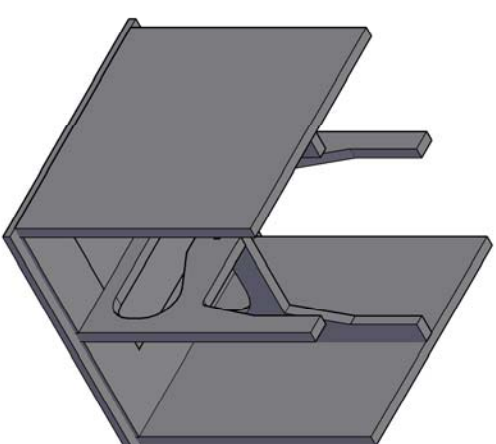
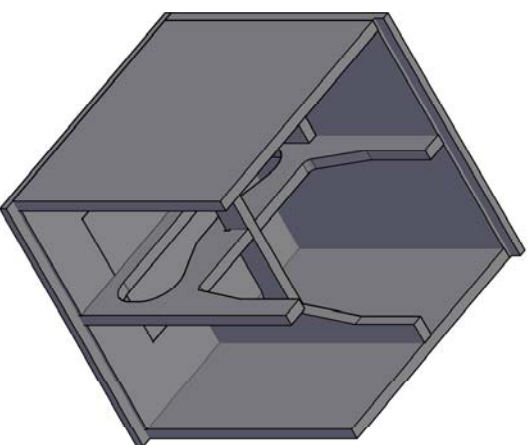


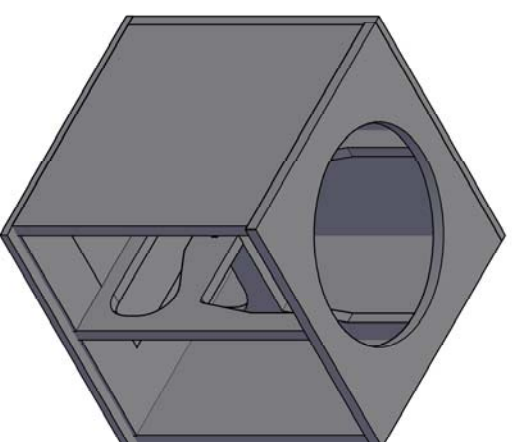
Step 1
Attach Braces to Back



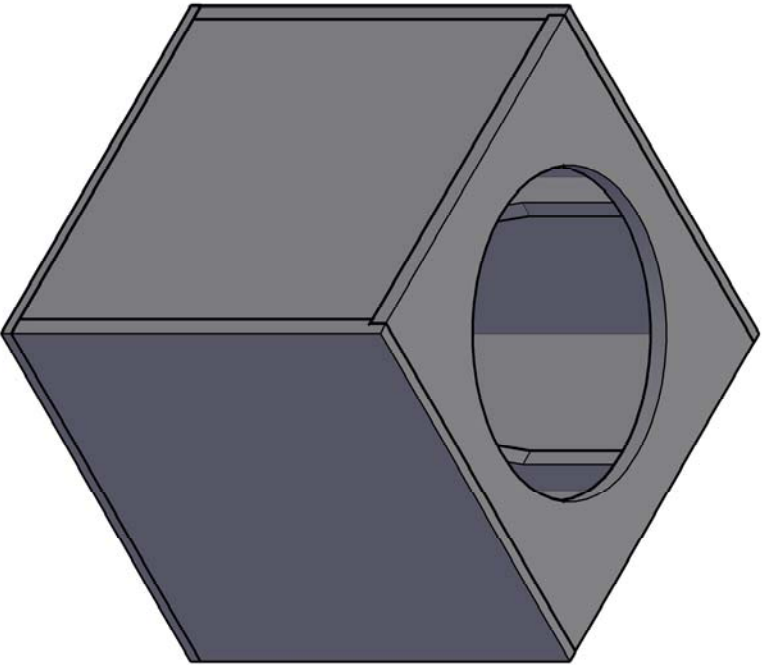
Step 2
Attach Top and Bottom



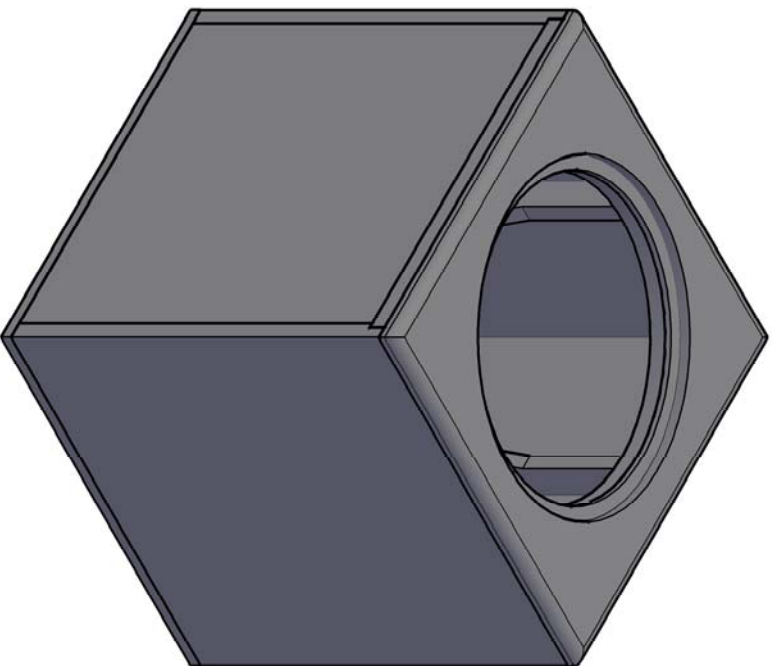
Step 3
Attach One Side Panel



Step 4
Attach Inner Front Baffle



Step 5
Attach Remaining Side Panel



Step 6
Attach Baffle