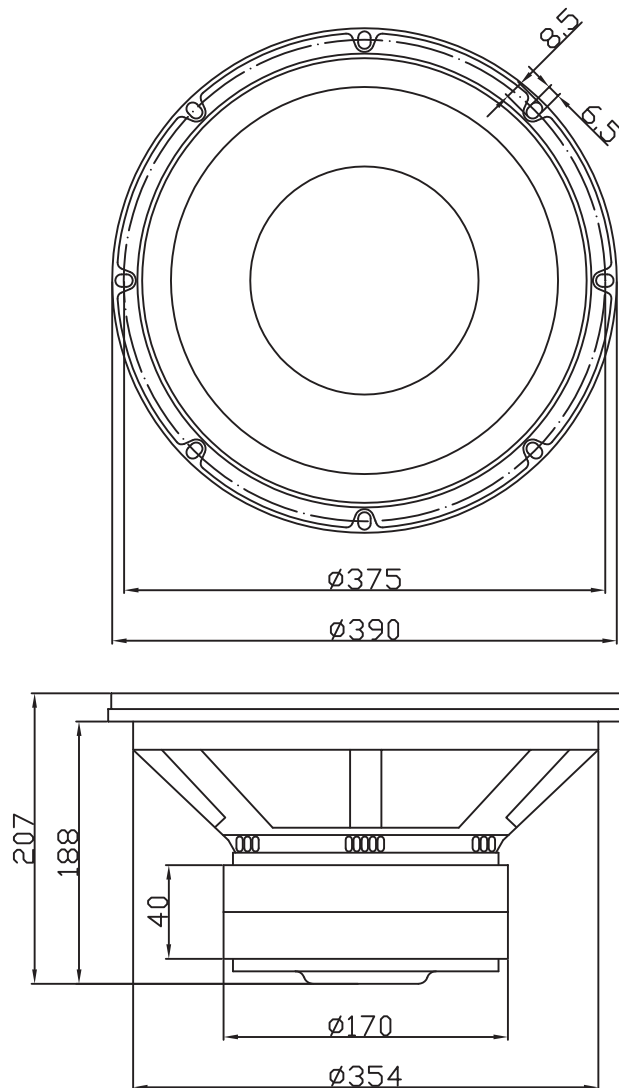




15SSW-4HE

15" High Excursion Super Subwoofer 4 Ohm

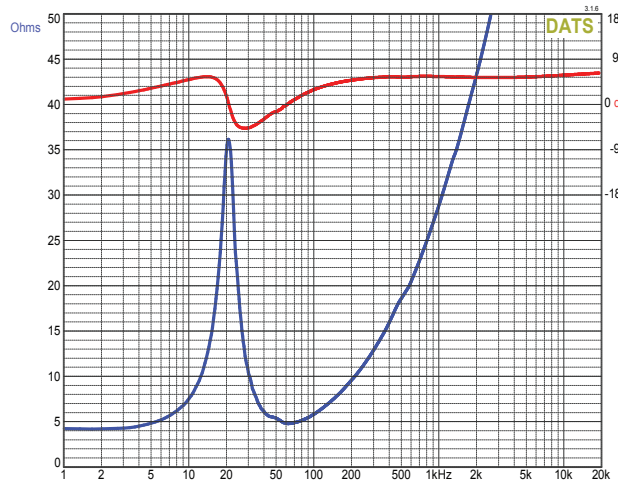
MECHANICAL DRAWING



FEATURES

- High excursion and low Fs to produce powerful low frequency output
- 4-layer 2.5" voice coil on a thick aluminum former to handle up to 300 watts RMS
- Venting under the spider, through the pole piece, and in the magnetic gap for excellent heat dissipation
- Durable reinforced paper cone with rubber surround produces reliable and consistent performance
- Extended frame and bumped back plate allow ample clearance for high excursion

IMPEDANCE/PHASE

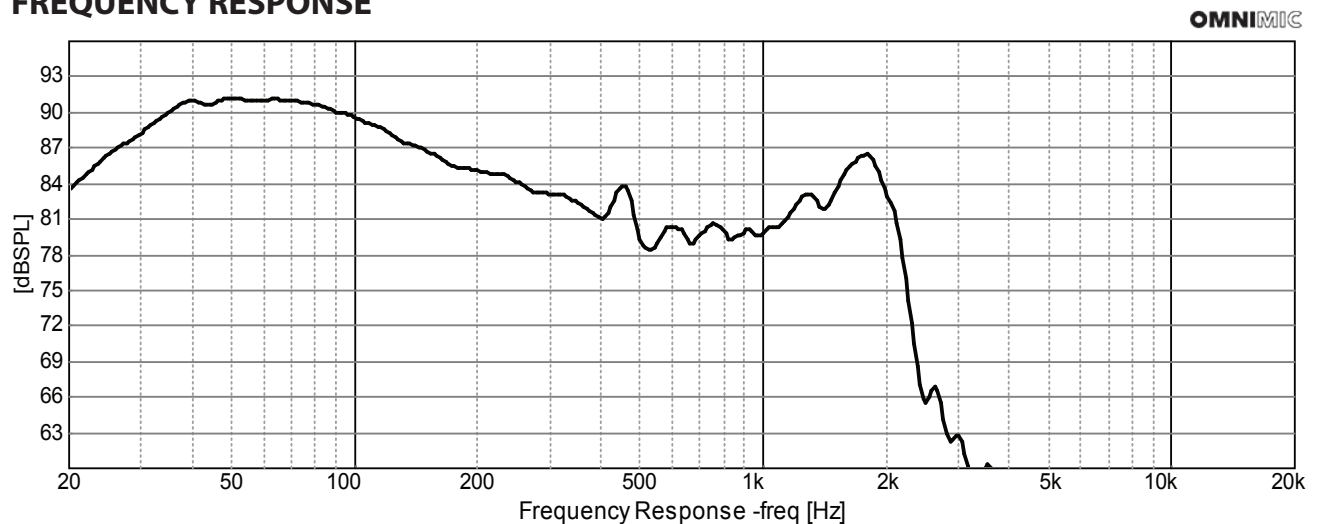


PARAMETERS

Impedance	4 ohms
Re	4.2 ohms
Le	3.7 mH
Fs	20.7 Hz
Qms	4.27
Qes	0.55
Qts	0.49
Mms	283.8 g
Cms	0.21 mm/N
Sd	819.4 cm ²
Vd	998.6 cm ³
BL	16.6 Tm
Vas	196.6 liters
Xmax	12.3 mm*
VC Diameter	63.5 mm
SPL	90dB @ 2.83V
RMS Power Handling (AES 426B)	300 watts
Usable Frequency Range (Hz)	20 - 300 Hz

*at 70% BI (Klippel verified)

FREQUENCY RESPONSE



Note: 1/24th octave smoothing - nearfield response included in graph below 450 Hz.