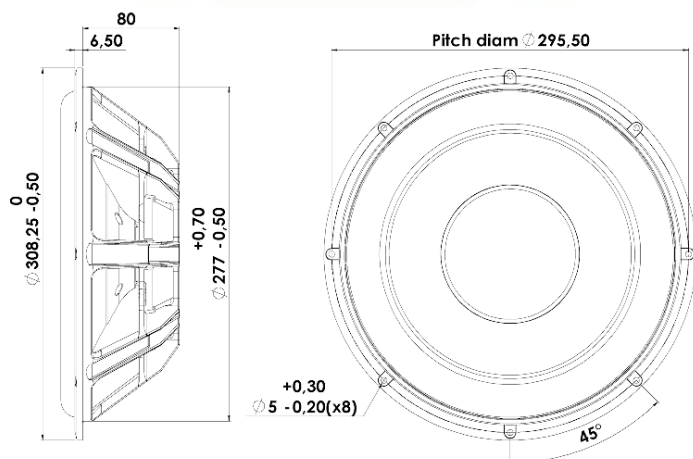


30 cm Passive

30W/0-00-00



### Key Features:

- Optimized for 30W/4558T00
- Adjustable Weight for Optimum Fres
- Rigid Black Aluminium Cone
- Coated Sandwich Fibre Glass Dust Cap
- Die cast Alu Chassis

### Recommendations (please see Tech Note):

- Operating frequency range: N.a.
- Cabinet volume - closed box: N.a.
- Cabinet volume - vented box: N.a.

### T-S Parameters:

|                               |                     |
|-------------------------------|---------------------|
| Resonance frequency [fs]      | 9.5 Hz              |
| Mechanical Q factor [Qms]     | 14                  |
| Electrical Q factor [Qes]     | -                   |
| Total Q factor [Qts]          | -                   |
| Force factor [Bl]             | - Tm                |
| Mechanical resistance [Rms]   | 1.84 kg/s           |
| Moving mass [Mms]             | 435 g               |
| Compliance [Cms]              | 0.65 mm/N           |
| Effective diaph. diameter [D] | 244 mm              |
| Effective piston area [Sd]    | 466 cm <sup>2</sup> |
| Equivalent volume [Vas]       | 200 l               |
| Sensitivity (2,83V/1m)        | - dB                |

### Mechanical Data:

|                             |             |
|-----------------------------|-------------|
| Voice coil diameter         | - mm        |
| Voice coil height           | - mm        |
| Voice coil layers           | -           |
| Gap height                  | - mm        |
| Linear excursion            | $\pm$ - mm  |
| Max mech. excursion         | $\pm$ 28 mm |
| Unit weight                 | 1.4 kg      |
| Cabinet Displacement Volume | 0.64 l      |

### Electrical Data:

|                            |            |
|----------------------------|------------|
| Nominal impedance [Zn]     | - $\Omega$ |
| Minimum impedance [Zmin]   | - $\Omega$ |
| Maximum impedance [Zo]     | - $\Omega$ |
| DC resistance [Re]         | - $\Omega$ |
| Voice coil inductance [Le] | - mH       |

### Power Handling:

|                                |      |
|--------------------------------|------|
| 100h RMS noise test (IEC 18.4) | - W  |
| Long-term max power (IEC 18.2) | - W  |
| X-over:                        | None |

