

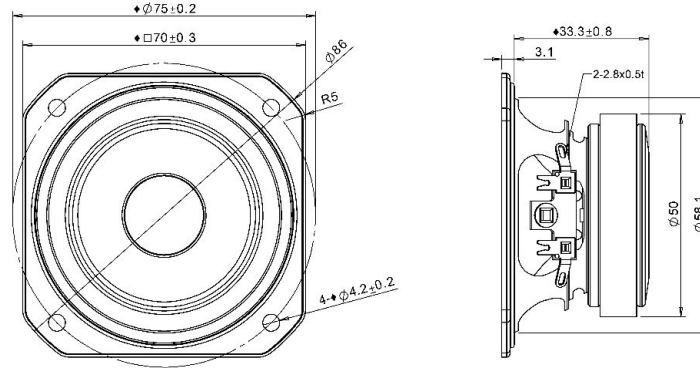
Full Range

This TC family 2.5 inch 4 ohm full-range driver, with ferrite magnet, paper cone and rubber surround, and steel basket, is designed to be a cost-effective high performance full range driver. The cone utilizes Tymphany-patented PentaCut NRSC cone technology to help dampen and control cone resonances, optimizing the listening experience. The motor contains a copper cap to lower inductance and distortion. The product was designed with portable and other compact applications in mind.



TC7FD00-04

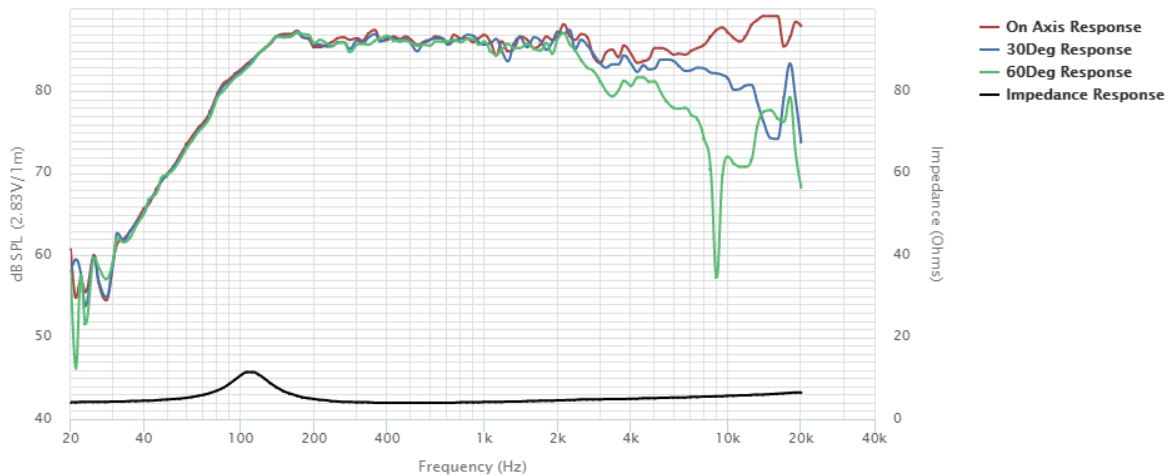
MECHANICAL 2D DRAWING



SPECIFICATIONS

DC Resistance	Revc	Ω	3.22	$\pm 5.0\%$	Moving Mass	Mms	g	1.6
Minimum Impedance	Zmin	Ω	3.95	$\pm 7.5\%$	Suspension Compliance	Cms	um/N	750.5
Voice Coil Inductance	Le	mH	0.02	-	Effective Cone Diameter	D	cm	5.3
Resonant Frequency	fs	Hz	143.42	15%	Effective Piston Area	Sd	cm ²	22.1
Mechanical Q Factor	Qms	-	3.66	-	Equivalent Volume	Vas	L	0.51
Electrical Q Factor	Qes	-	1.22	-	Motor Force Factor	BL	T•m	1.97
Total Q Factor	Qts	-	0.92	-	Motor Efficiency Factor	β	(T•m ²)/ Ω	1.2
Ratio	fs/Qts	-	156.4	-	Voice Coil Former Material	VCfm	-	ASV
Half Space Sensitivity	dB@2.83V/1m	dB	86.36	± 1.01	Voice Coil Inner Diameter	VCd	mm	19.32
Sensitivity	1W/1m	dB	83.3	± 1.01	Gap Height	Gh	mm	3
Rated Noise Power (IEC 268-5 18.1)	P	W	20	-	Maximum Linear Excursion	Xmax	mm	1
Test Spectrum Bandwidth		12 dB/Oct	130Hz - 20kHz	-	Ferofluid Type	FF	-	-
Energy Bandwidth Product	EBP	(1/Qes)•fs	-	-	Transducer Size	-	-	2.5 in
				-	Transducer Mass	-	Kg	0.18

FREQUENCY & IMPEDANCE RESPONSE



Highcharts.com