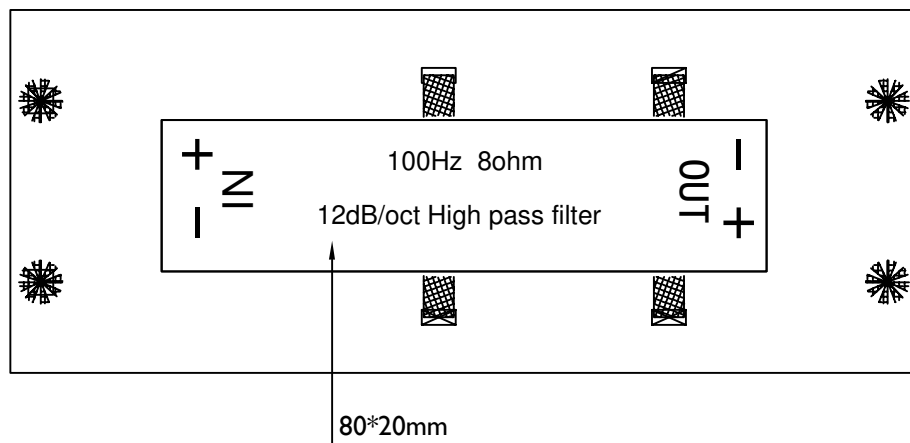
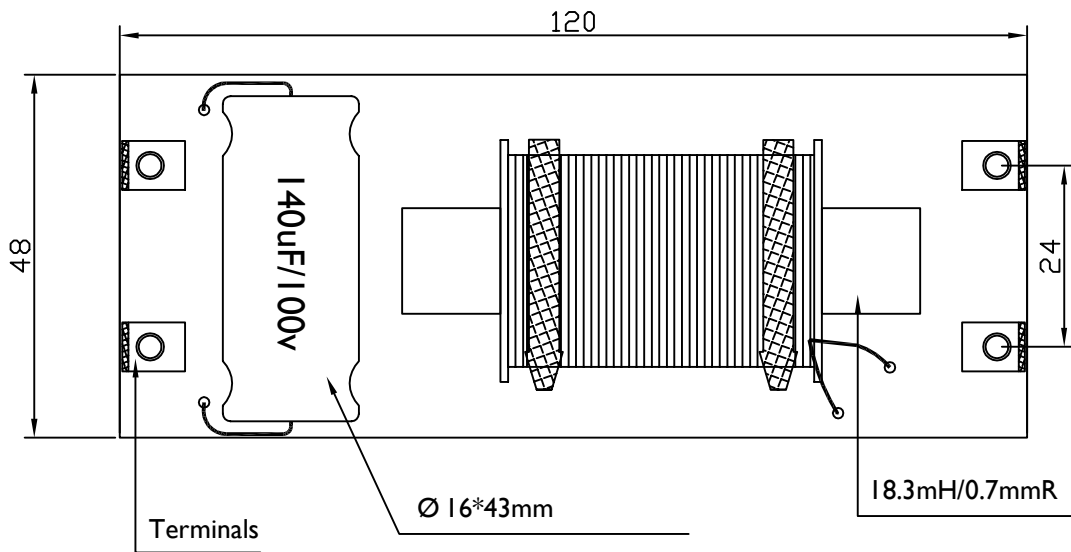
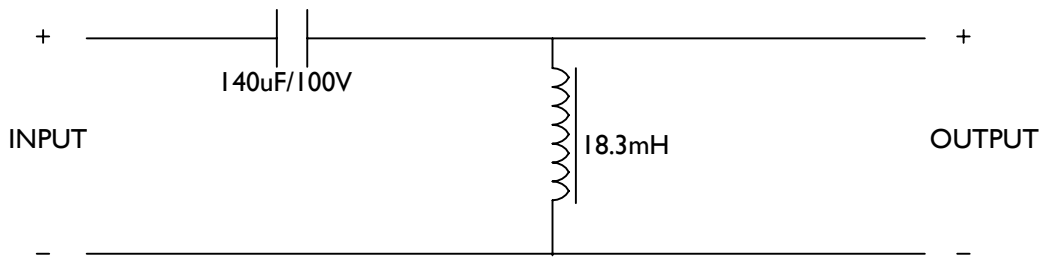


# Schematics



Drawn	Checked	Approved	REV	AI.1	Part no.	266-462
			Date	2013.10.14	Part name	CROSSOVER
youliam	Nick	Vidin	<h1>R&amp;A</h1> <p>Products: Inductor and Crossover</p>			