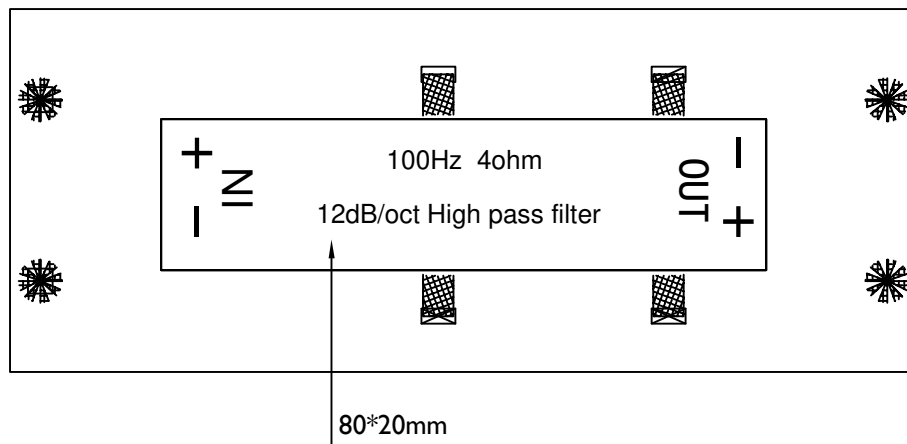
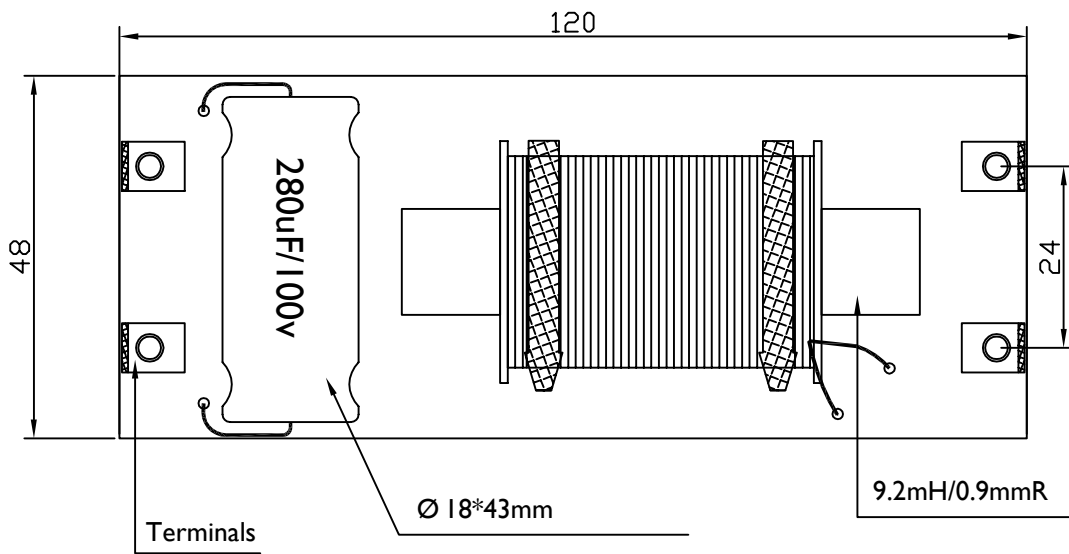
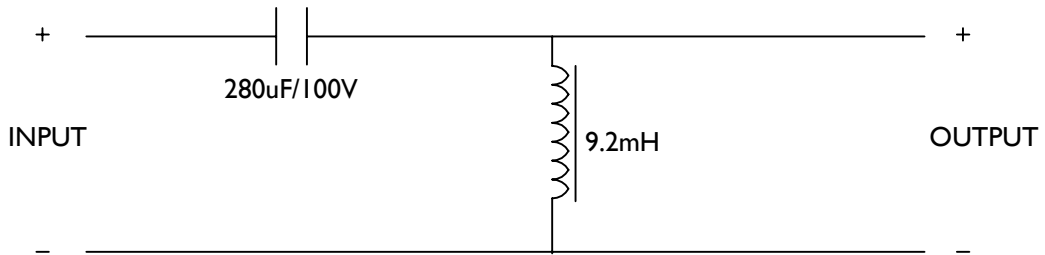


# Schematics



Drawn	Checked	Approved	REV	AI.1	Part no.	266-460
			Date	2013.10.14	Part name	CROSSOVER
youliam	Nick	Vidin	<b>R&amp;A</b> Products: Inductor and Crossover			