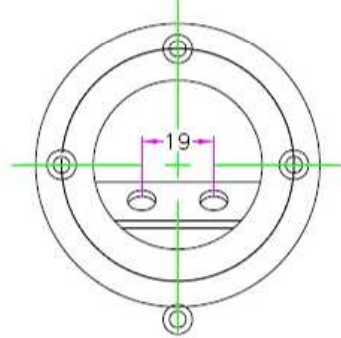
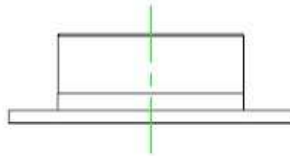
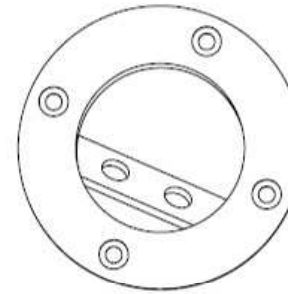
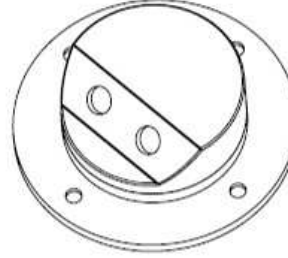


SECTION A-A



Rev.	Description	By	Date	DCN. No.
△				
△				
△				
△				

					Visual Angle		Cus. Model No.	
					Unit	mm	Scale	Fit
✓	Quotation	Drawn By	Checked By	Approved By	Rev. No.	A00		Model No.
	Sample	劉成鳳	CP	CP	Date	2012.03.19		
	Tooling				Part Name	Terminal Cup	Part No.	
	Official Issue				Drawing No.		2-15/16" Terminal Cup	