

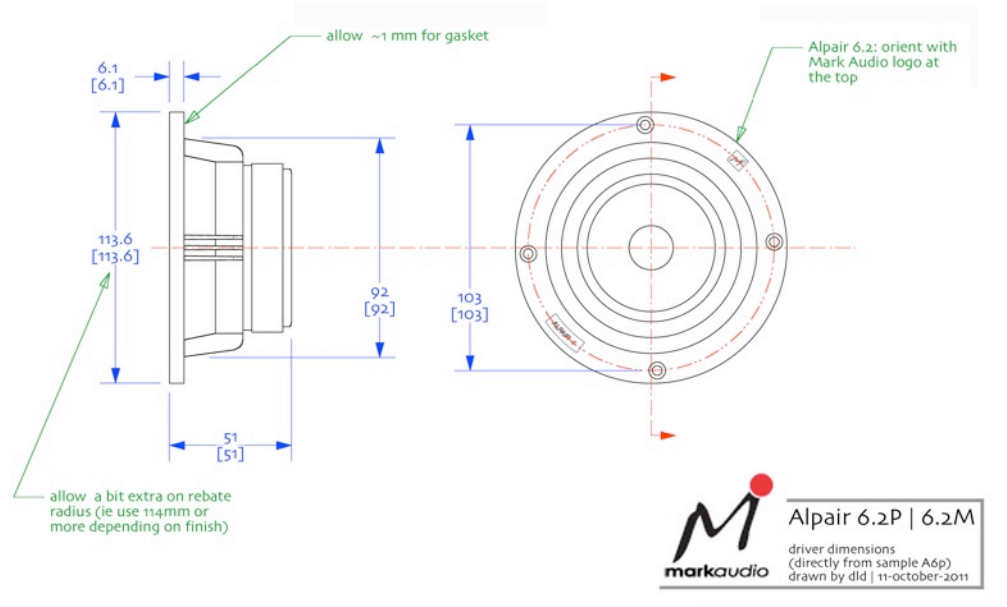
Alpair 6M (metal cone) Generation 2 mini-fullrange emitter



The Alpair 6M is well suited to smaller audio applications, particularly desk-top and near-field uses. The bass-rich warm tone of this driver can act a balance for those installations using compressed or highly processed source music, complements the use of traditional and modern solid state amplification. This new generation 2 model concentrates on refining the musicality of the Alpair 6 heritage.

This new generation 2 driver has a new Multi-form cone design. The cone profile has been modified to improve vocal clarity in the lower/lower mid frequency ranges. New advanced Nomex rear suspension and a new low mass copper wound coil is also included in this design. Other additional features include a revision of the polymer mix for the frame making it 10% stiffer than the old model. Finally , new connector sets allow for remote soldering of cables, installation is easy.

Alpair 6M	parameters:
Driver	4.0 Ohm
Revc	3.60 Ohm
Fo	63 Hz
Sd	36.3 Cm ²
Vas	4.8 Ltr
Cms	2.58 m M/N
Mmd	2.48 g
Mms	2.57 g
BL	2.81 T·M
Qms	2.76
Qes	0.45
Qts	0.38
Levc	128.7 u H
No	0.243 %
SPLo	85.4 dB
Xmax	4 mm (1 way)
Power	15 watts nom. 30 Max
Coil	18-mm dia. Alu-copper



Small to medium sized speakers are usually lower power designs. The power rating is given in the technical data for each audio driver. For a reliable long service life, please operate your new speakers with care. For the first 100 hours, operate them at very low volumes. After this period, gradually increase the volume to a normal listening level. If you see the cone of the speakers making large movements, immediately turn the volume down. This will protect the speaker and your human hearing from damage. Factory mechanical defects for a period of 1 year. Excessive hard use (over-driving) and other damage caused during customer use is excluded from our warranty.

