

## Alpair 10P Gen. 1 Extended Full-Range emitter Paper-GRF cone model



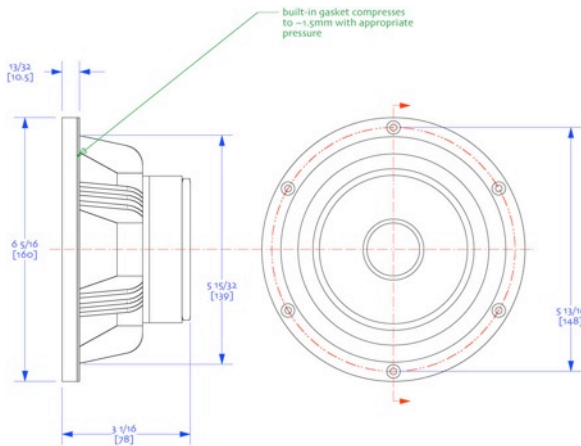
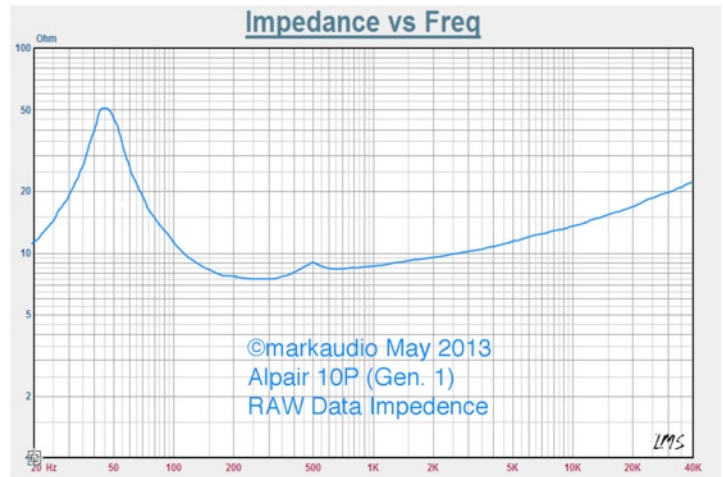
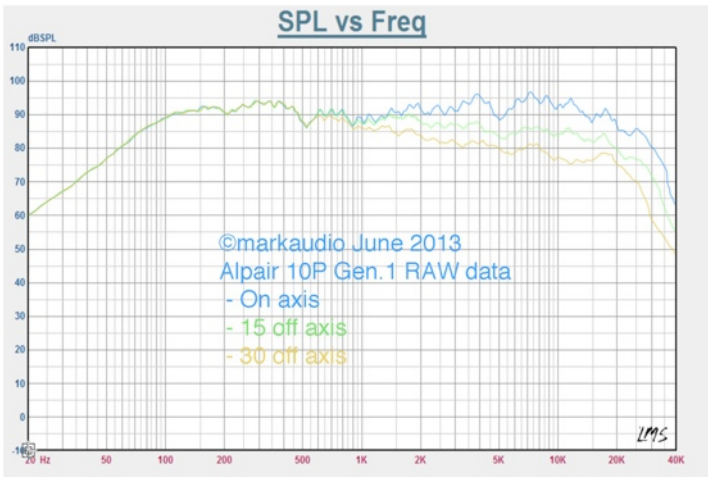
This Alpair 10P Gen.1 represents a significant development of Markaudio Full-range drivers. The production history of the Alpair 10 series is well known inside purist audiophile circles. However this is the first time that a paper cone version has appeared in the 10 series.

The cone is the most radical shallow design Markaudio has produced so far this size of driver. To maintain its stability, the materials used include an arrangement of glass-reinforced fibres. The dispersion characteristic is ultra wide. The 10P is frequency range capable to +25-kHz with an efficiency of 89.5dB. These efficiencies were achieved by considerable design efforts to reduce mass. The 10P's power train under moving mass conditions is less 5.2g while retaining Markaudio's "long throw" design feature. The coil winding is "high stress" type forming the tight band arrangement on its body. The result is one of the lightest coils deployed in this size class, weighing under 2.2g.

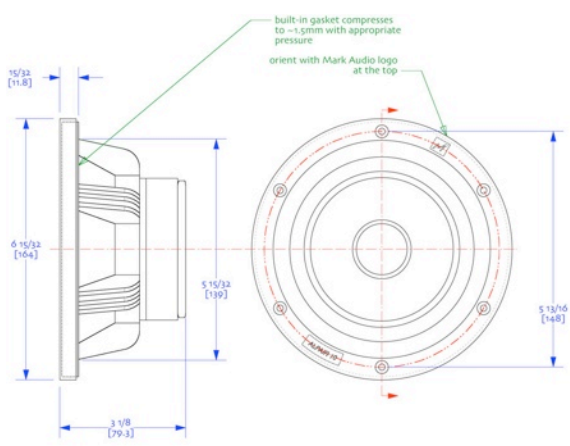
The power-train suspension compliance is extremely sensitive. Capable of large extension for this class of Full-Range audio driver (7-mm 1 way, limited by the Arrestor).

The Alpair 10P is "purist" technical driver. Its purpose is to serve the audiophile and experimental markets. Due to the highly emittance sensitive power-train, this driver will need users to take note of the need for high quality lower power amplification and audiophile level source. The Alpair 10P should not be considered as a "general purpose" emitter.

T/S Anechoic: 2.2/30g spider final version: 10P Gen.1  
 Revc= 6.200 Ohm  
 Fo= 42.398 Hz  
 Sd= 88.250 cm  
 Vas= 29.995 Ltr  
 Cms= 2.712m M/N  
 Mmd= 4.719 g  
 Mms= 5.196 g  
 BL= 4.741 TM  
 Qms= 2.425  
 Qes= 0.382  
 Qts= 0.330  
 Levc= 50.196u H  
 No= 0.579 %  
 SPLo= 89.645 dB  
 Xmax = 7mm (1 way) limited by Arrestor  
 Power = 30 watts Nom.



markaudio Alpair 10.2 no bezel cover driver dimensions drawn by did | 24-june-2011



markaudio Alpair 10.2 with bezel cover driver dimensions drawn by did | 24-june-2011