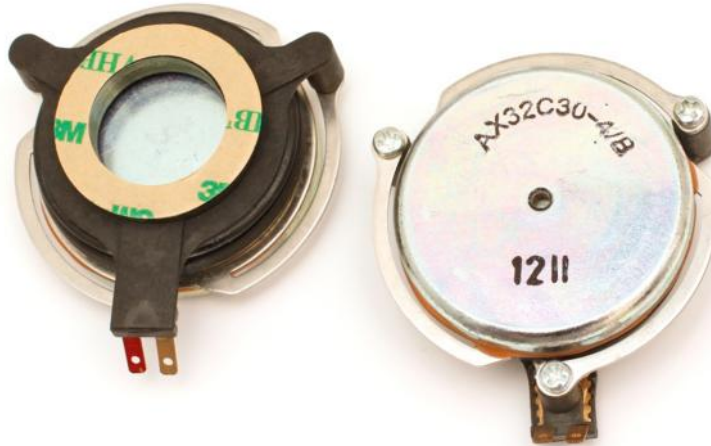


TEAX32C30-4/B Balanced Exciter

✓RoHS
COMPLIANT



Features

- Impedance: 4 ohm nominal
- Dimensions: 53.00mm x 53.00mm
- Thickness: 19.60mm
- Mass: 130g
- Self-adhesive mounting
- Shock and dust-resistant

Applications

- Automotive
- Out-door environment applications

Description

The TEAX32C30-4/B balanced exciter is a serviceable, semi-sealed audio exciter with excellent durability, originally designed for automotive applications. A rubber seal around the magnet cup seals the voice coil assembly from the outside environment. The exciter is supplied with a self-adhesive screw-in adaptor for easy serviceability.

Parameters

Parameter	Description	min	typ	max	Units
R_e	DC resistance	-10%	3.4	+10%	Ohms
L_e	Inductance (@ 10kHz)	-10%	0.10	+10%	mH
BW_A	Audio frequency range	100	-	20000	Hz
P	Rated power (IEC268-5)	-	-	30	W
BL	Force factor	-	3.5	-	Tm
β	Motor efficiency factor	-	3.6	-	$(Tm)^2 \text{ }^{-1}$
f_s	Resonant frequency	-10%	260	+10%	Hz
f_m	Magnet resonance	-10%	100	+10%	Hz
d_{Drv}	Voice coil diameter	-	32.0	-	mm
M_{ms}	Moving mass	-	6.7	-	g
M_{mm}	Magnet mass	-	126	-	g
C_{ms}	Compliance	-	0.24	-	mmN^{-1}
R_{ms}	Suspension loss	-	1.5	-	Nsm^{-1}
$X_{mech \text{ max}}$	Maximum coil excursion (p-p)	-	3	-	mm
Temp	Operating temperature range	-20	-	60	°C

Response

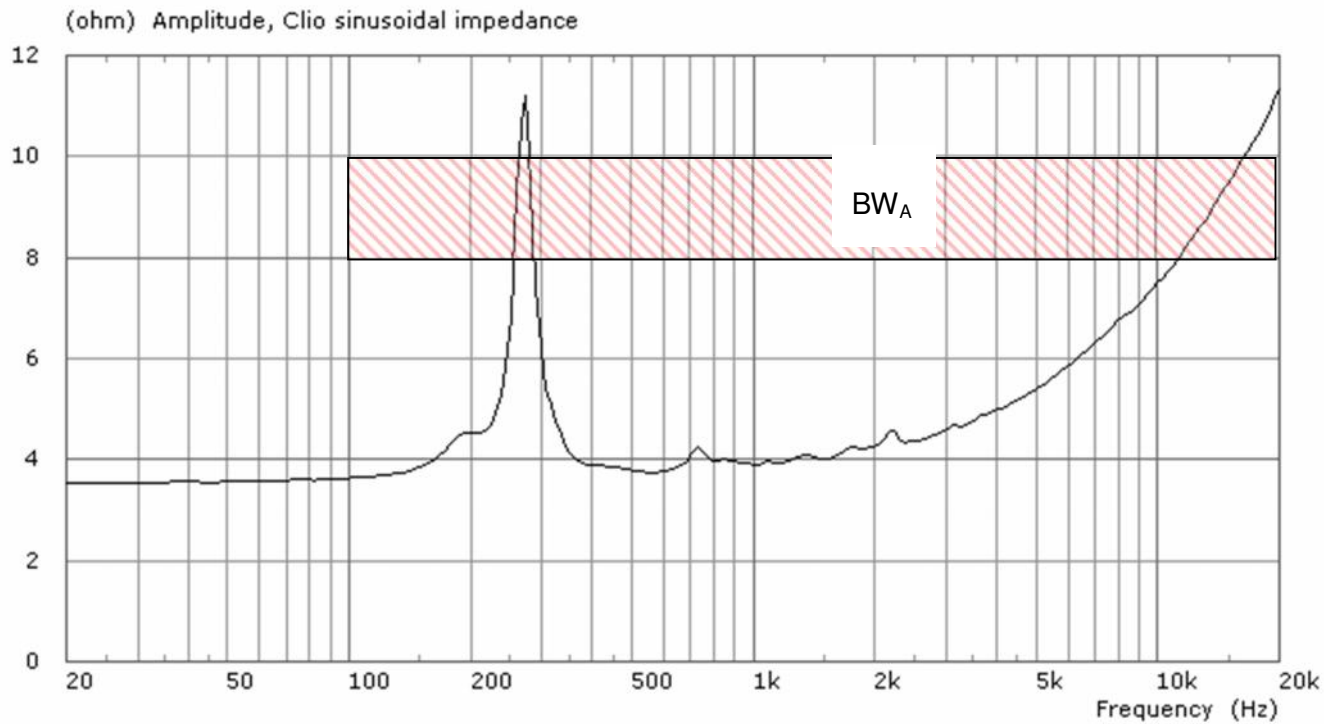


Figure 1. Impedance vs. frequency

Outline Drawing

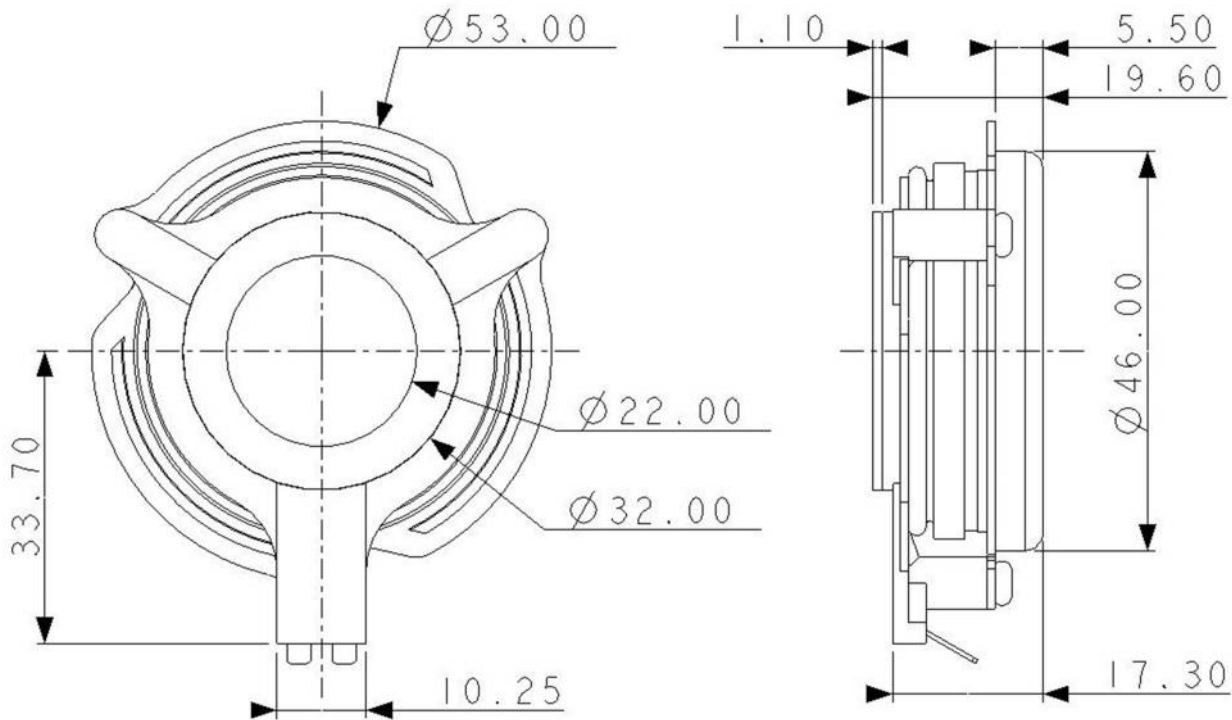


Figure 2. Nominal dimensions