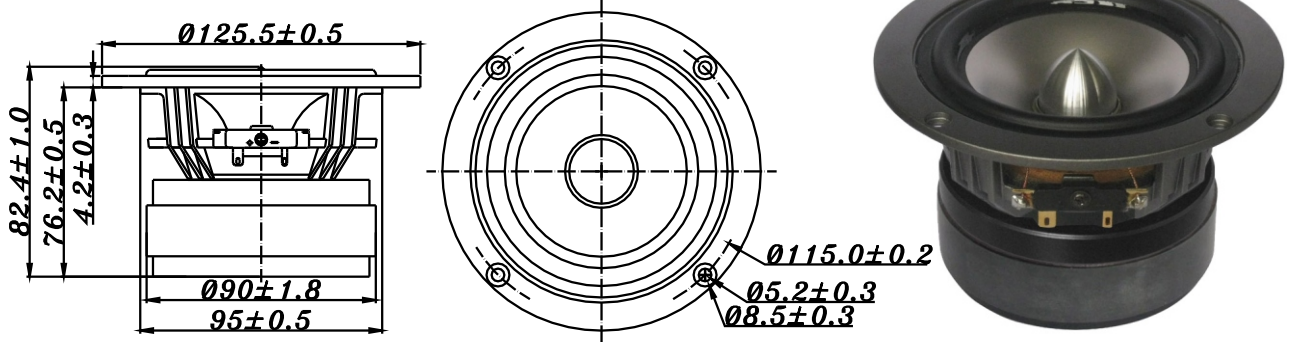


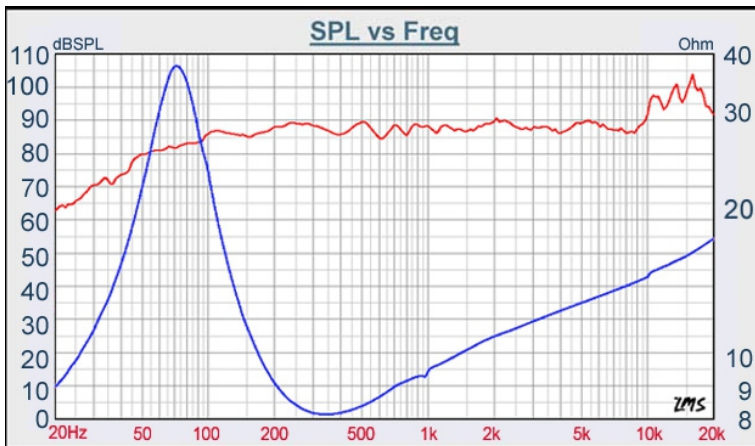
# F SERIES

# W4-1337SDF



- FULL RANGE FREQUENCY RESPONSE
- HIGH POWER LOADING DESIGN
- DIE CAST BASKET, TITANIUM COLOR PAINTED, VC VENTED DESIGN
- TITANIUM CONE WITH SANTOPRENE SURROUND
- UNDERHUNG MOTOR DESIGN
- LOW 2nd, 3rd DISTORTION DESIGN

## 4" TI FULL RANGE



DIAPHRAGM MTL	Titanium
SURROUND MTL	Rubber
NOMINAL IMPEDANCE	8 Ω
DCR IMPEDANCE	6.3 Ω
SENSITIVITY 1W/1M	89 dB
FREQUENCY RESPONSE	70 - 20K Hz
FREE AIR RESONANCE	70 Hz
VOICE COIL DIAMETER	25.4 mm
AIR GAP HEIGHT	10 mm
RATED POWER INPUT	25 W
MAXIMUM POWER INPUT	50 W
FORCE FACTOR, BL	5.32 TM
TYPE OF MAGNET	Ferrite
MOVING MASS	3.99 g
FERROFLUID ENHANCED	No
SUSPENSION COMPLIANCE	1216 μMN <sup>-1</sup>
EFFECTIVE PISTON AREA	0.0057 M <sup>2</sup>
Levc	0.027 mH
Zo	36 Ω
X-max	2.5 mm
Vas	5.61 Litr
Qts	0.34
Qms	2.04
Qes	0.40

**TB SPEAKERS**

VOICE:886.2.26570282 FAX:886.2.26580166  
E-MAIL :info@tb-speaker.com