

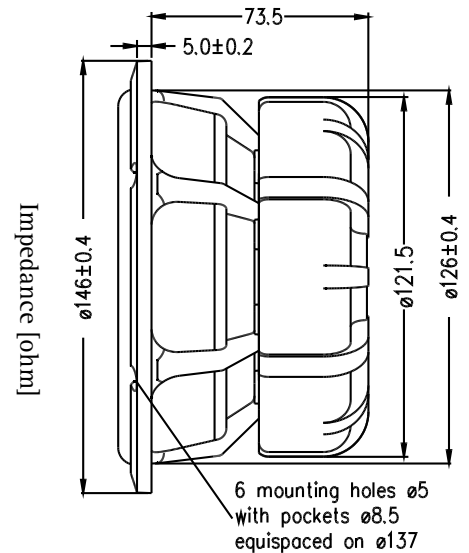
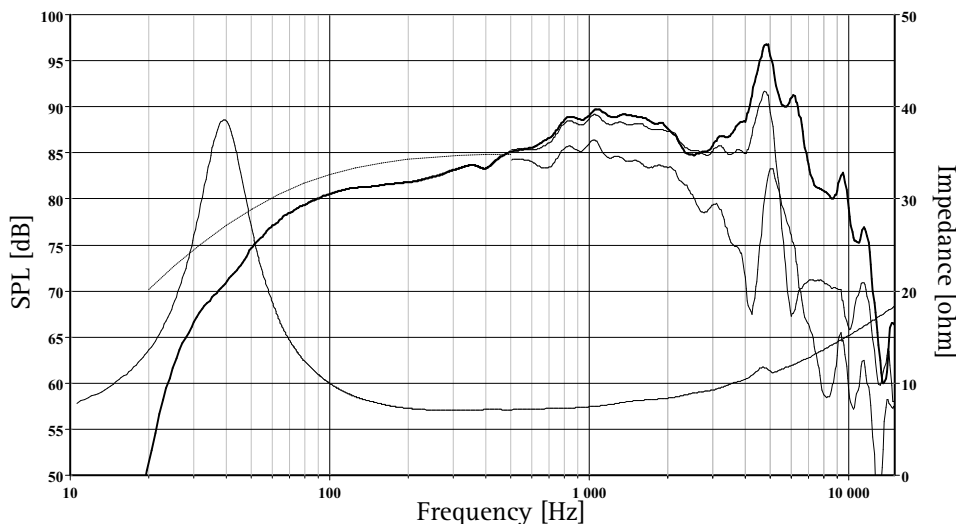
Precision cast, machined and surface treated magnesium cone acts as a piston through the audible frequency band without showing any sign of midrange resonances.

A unique radial reinforced rubber surround reduces radial resonances and prevents surround break up at large excursions.

Heavy copper rings mounted above and below the T-shaped pole piece reduce non linear and modulation distortion and increase overload margin.

A copper phase plug reduces compression due to temperature variations in the voice coil, increases long term power handling capacity and eliminates resonances in the cavity inside the voice coil former.

The extremely stiff and stable injection moulded metal basket keeps the critical components in perfect alignment. Large windows in the basket both above and below the spider reduce sound reflection, air flow noise and cavity resonance to a minimum.



The frequency responses above show measured free field sound pressure in 0, 30, and 60 degrees angle using a 10L closed box. Input 2.83 V<sub>RMS</sub>, microphone distance 0.5m, normalized to SPL 1m. The dotted line is a calculated response in infinite baffle based on the parameters given for this specific driver. The impedance is measured in free air without baffle using a 2V sine signal.

Nominal Impedance	8 Ohms	Voice Coil Resistance	6.2 Ohms
Recommended Frequency Range	45 - 2500 Hz	Voice Coil Inductance	0.41 mH
Short Term Power Handling *	250 W	Force Factor	7.3 N/A
Long Term Power Handling *	80 W	Free Air Resonance	39 Hz
Characteristic Sensitivity (2,83V, 1m)	85.0 dB	Moving Mass	13.9 g
Voice Coil Diameter	38 mm	Air Load Mass In IEC Baffle	0.53 g
Voice Coil Height	20 mm	Suspension Compliance	1.2 mm/N
Air Gap Height	6 mm	Suspension Mechanical Resistance	1.64 Ns/m
Linear Coil Travel (p-p)	14 mm	Effective Piston Area	94 cm <sup>2</sup>
Maximum Coil Travel (p-p)	22 mm	VAS	14 Litres
Magnetic Gap Flux Density	1.1 T	QMS	2.16
Magnet Weight	0.64 kg	QES	0.41
Total Weight	2.15 kg	QTS	0.35