

Extremely stiff and rigid aluminium cone gives tremendous bass precision. The cone and the long throw low loss rubber surround show no sign of the familiar cone edge resonance and distortion associated with soft cones.

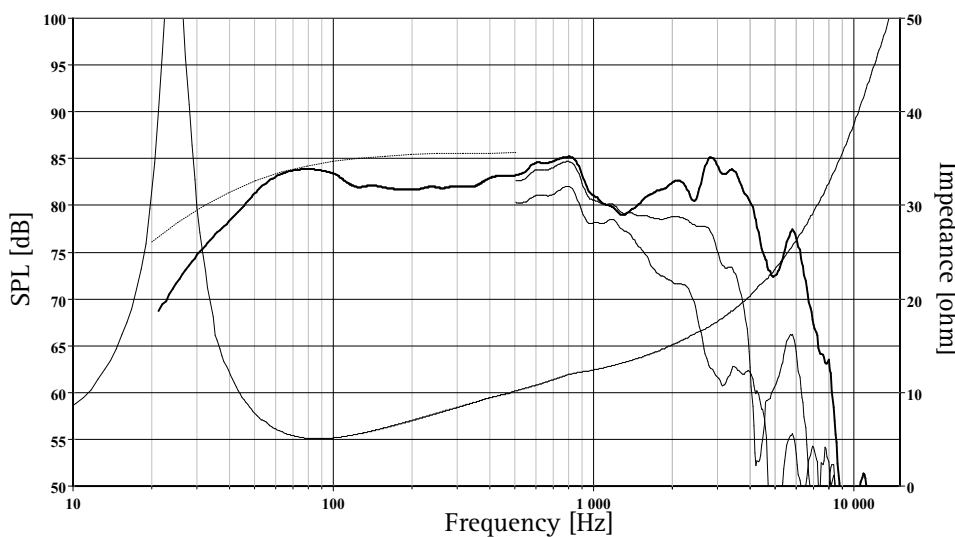
Lead-out wires symmetrically stitched to the spider to avoid resonances. Total suspension designed to assure stability for extreme excursions.

4-layer, extremely long, high temperature voice coil wound on an glassfiber voice coil former gives a high power handling capacity.

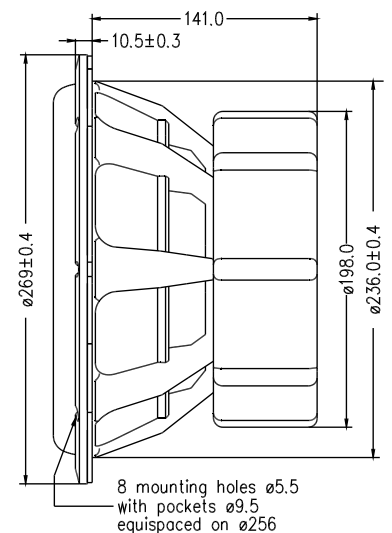
Cu-cap around the pole pieces reduce non linear and modulation distortion and increase overload margin.

Extra large magnet system provides high efficiency and low Q.

Extremely stiff and stable injection moulded metal basket keeps the critical components in perfect alignment. Large windows in the basket both above and below the spider reduce sound reflection, air flow noise and cavity resonance to a minimum.



The frequency responses above show measured free field sound pressure in 0, 30, and 60 degrees angle using a 28L closed box. Input 2.83 V<sub>RMS</sub>, microphone distance 0.5m, normalized to SPL 1m. The dotted line is a calculated response in infinite baffle based on the parameters given for this specific driver. The impedance is measured in free air without baffle using a 2V sine signal.



|  |              |                                  |                     |
|--|--------------|----------------------------------|---------------------|
| Nominal Impedance                      | 4 Ohms       | Voice Coil Resistance            | 3.3 Ohms            |
| Recommended Frequency Range            | 20 - 1000 Hz | Voice Coil Inductance            | 3.85 mH             |
| Short Term Power Handling *            | 500 W        | Force Factor                     | 18 N/A              |
| Long Term Power Handling *             | 250 W        | Free Air Resonance               | 24 Hz               |
| Characteristic Sensitivity (2,83V, 1m) | 85.5 dB      | Moving Mass                      | 173 g               |
| Voice Coil Diameter                    | 56 mm        | Air Load Mass In IEC Baffle      | 4.0 g               |
| Voice Coil Height                      | 38 mm        | Suspension Compliance            | 0.26 mm/N           |
| Air Gap Height                         | 10 mm        | Suspension Mechanical Resistance | 5.4 Ns/m            |
| Linear Coil Travel (p-p)               | 28 mm        | Effective Piston Area            | 363 cm <sup>2</sup> |
| Maximum Coil Travel (p-p)              | 56 mm        | VAS                              | 46 Litres           |
| Magnetic Gap Flux Density              | 1.1 T        | QMS                              | 4.90                |
| Magnet Weight                          | 2.34 kg      | QES                              | 0.28                |
| Total Weight                           | 10 kg        | QTS                              | 0.27                |