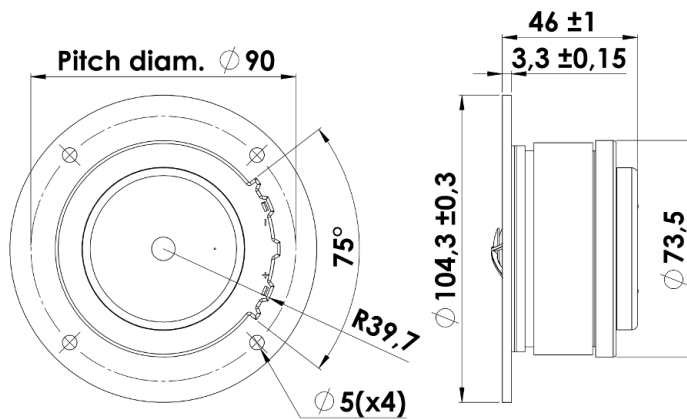




# TWEETER

# D2904/980000

The Classic tweeters are among the many highly praised designs in Classic series. They have enjoyed success over 3 decades. And still among the best tweeters available. The D2905/9000 tweeter kick-started a new era with a line of very high quality 1" tweeters, today known as -9300, -9500, -9700 and -9800. Despite their many years on the market still used in many top High-End speakers around the world.



## KEY FEATURES:

- 1" Aluminium Dome Diaphragm
- Patented Symmetrical Drive (SD) motor
- Wave Guide
- Low Resonance Rear Chamber
- Black Painted Alu Face Plate

### T-S Parameters

Resonance frequency [fs]	500 Hz
Mechanical Q factor [Qms]	3.09
Electrical Q factor [Qes]	0.84
Total Q factor [Qts]	0.66
Force factor [Bl]	2.8 Tm
Mechanical resistance [Rms]	0.61 kg/s
Moving mass [Mms]	0.6 g
Compliance [Cms]	0.20 mm/N
Effective diaph. diameter [D]	33 mm
Effective piston area [Sd]	8.5 cm <sup>2</sup>
Equivalent volume [Vas]	0.02 l
Sensitivity (2.83V/1m)	88 dB
Ratio Bl/√Re	1.50 N/√W
Ratio fs/Qts	756 Hz

### Notes:

IEC specs. refer to IEC 60268-5 third edition.  
 All Scan-Speak products are RoHS compliant.  
 Data are subject to change without notice.  
 Datasheet updated: February 17, 2016.

### Electrical Data

Nominal impedance [Zn]	4 Ω
Minimum impedance [Zmin]	4.3 Ω
Maximum impedance [Zo]	16.4 Ω
DC resistance [Re]	3.5 Ω
Voice coil inductance [Le]	0.01 mH

### Power Handling

100h RMS noise test (IEC 17.1)*	160 W
Long-term max power (IEC 17.3)*	430 W

\*Filter: 2. order HP Butterworth, 2.5 kHz

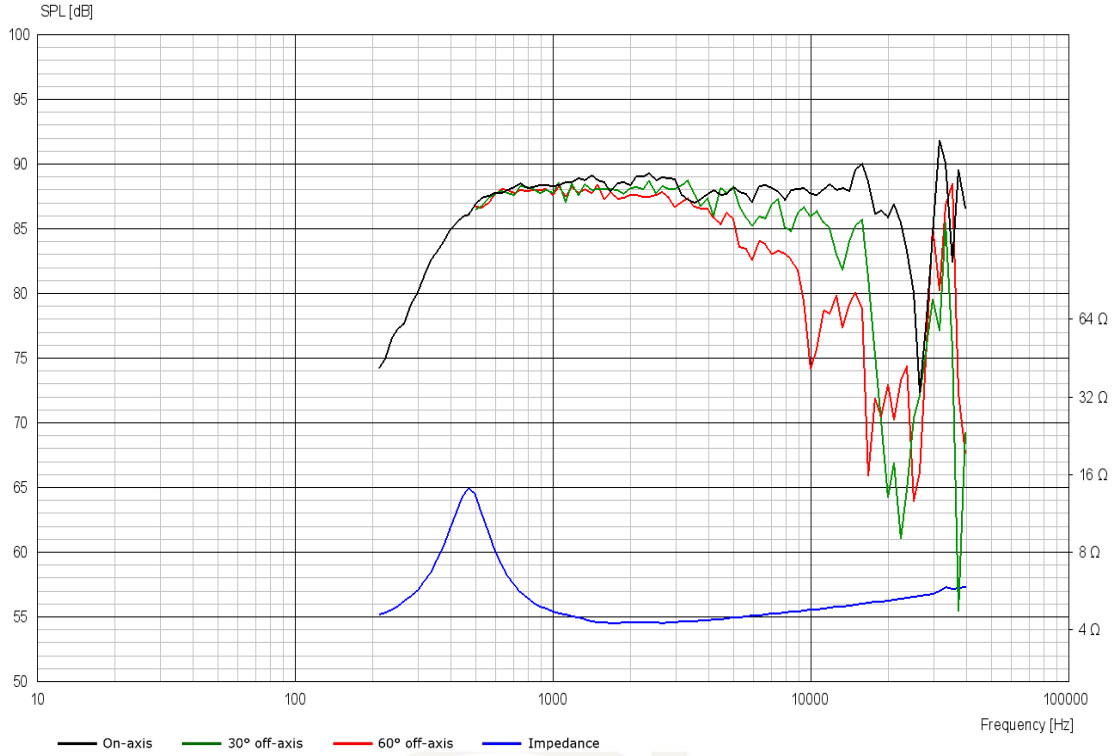
### Voice Coil & Magnet Data

Voice coil diameter	28 mm
Voice coil height	2.5 mm
Voice coil layers	2
Height of gap	2.5 mm
Linear excursion	± 0.1 mm
Max mech. excursion	± 1.5 mm
Unit weight	0.7 kg

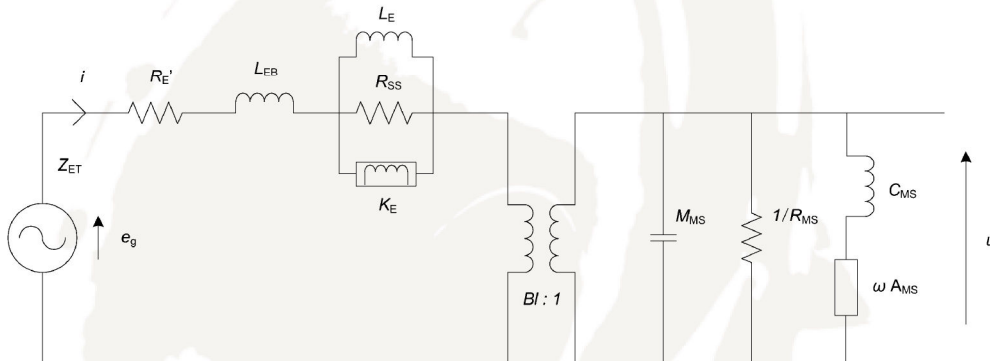


# TWEETER

# D2904/980000



## Advanced Parameters (Preliminary)



### Electrical data

Resistance [ $R_{E'}$ ]	- $\Omega$
Free inductance [ $L_{EB}$ ]	- mH
Bound inductance [ $L_E$ ]	- mH
Semi-inductance [ $K_E$ ]	- SH
Shunt resistance [ $R_{SS}$ ]	- $\Omega$

### Mechanical Data

Force Factor [ $BI$ ]	- Tm
Moving mass [ $M_{MS}$ ]	- g
Compliance [ $C_{MS}$ ]	- mm/N
Mechanical resistance [ $R_{MS}$ ]	- kg/s
Admittance [ $A_{MS}$ ]	- mm/N