

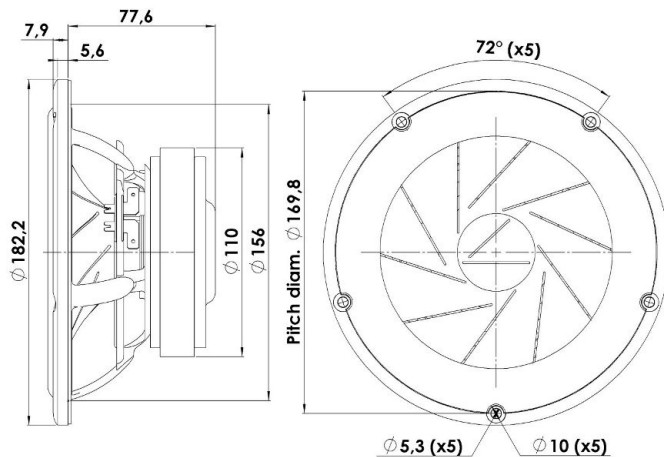


# REVELATOR

## MIDWOOFER

## 18W/8531G00

The Revelator midrange and midwoofers, both well known for their sliced paper cone technology. The slices are filled with damping glue, which dramatically reduces break-up modes in the diaphragm. In combination with Scan-Speaks Low-loss linear suspension and the patented Symmetrical drive (SD-1) it represented a breakthrough in midrange clarity and overall smooth frequency response characteristics.



### KEY FEATURES:

- Patented Symmetrical Drive Motor Design
- Low-Loss linear suspension
- Die cast Alu Chassis vented below spider
- Sliced Cone (Controls Cone Breakups)
- Low Damping SBR Rubber Surround
- Large Ferrite Magnet System

#### T-S Parameters

Resonance frequency [fs]	28 Hz
Mechanical Q factor [Qms]	5.10
Electrical Q factor [Qes]	0.39
Total Q factor [Qts]	0.36
Force factor [Bl]	6.8 Tm
Mechanical resistance [Rms]	0.60 kg/s
Moving mass [Mms]	17.5 g
Compliance [Cms]	1.85 mm/N
Effective diaph. diameter [D]	138 mm
Effective piston area [Sd]	150 cm <sup>2</sup>
Equivalent volume [Vas]	58.2 l
Sensitivity (2.83V/1m)	87 dB
Ratio Bl/√Re	2.82 N/√W
Ratio fs/Qts	77 Hz

#### Notes:

IEC specs. refer to IEC 60268-5 third edition.  
All Scan-Speak products are RoHS compliant.  
Data are subject to change without notice.  
Datasheet updated: February 18, 2015.

#### Electrical Data

Nominal impedance [Zn]	8 Ω
Minimum impedance [Zmin]	6.4 Ω
Maximum impedance [Zo]	81.6 Ω
DC resistance [Re]	5.8 Ω
Voice coil inductance [Le]	0.35 mH

#### Power Handling

100h RMS noise test (IEC 17.1)	60 W
Long-term max power (IEC 17.3)	70 W

#### Voice Coil & Magnet Data

Voice coil diameter	38 mm
Voice coil height	18 mm
Voice coil layers	2
Height of gap	5 mm
Linear excursion	± 6.5 mm
Max mech. excursion	± 11 mm
Unit weight	1.7 kg

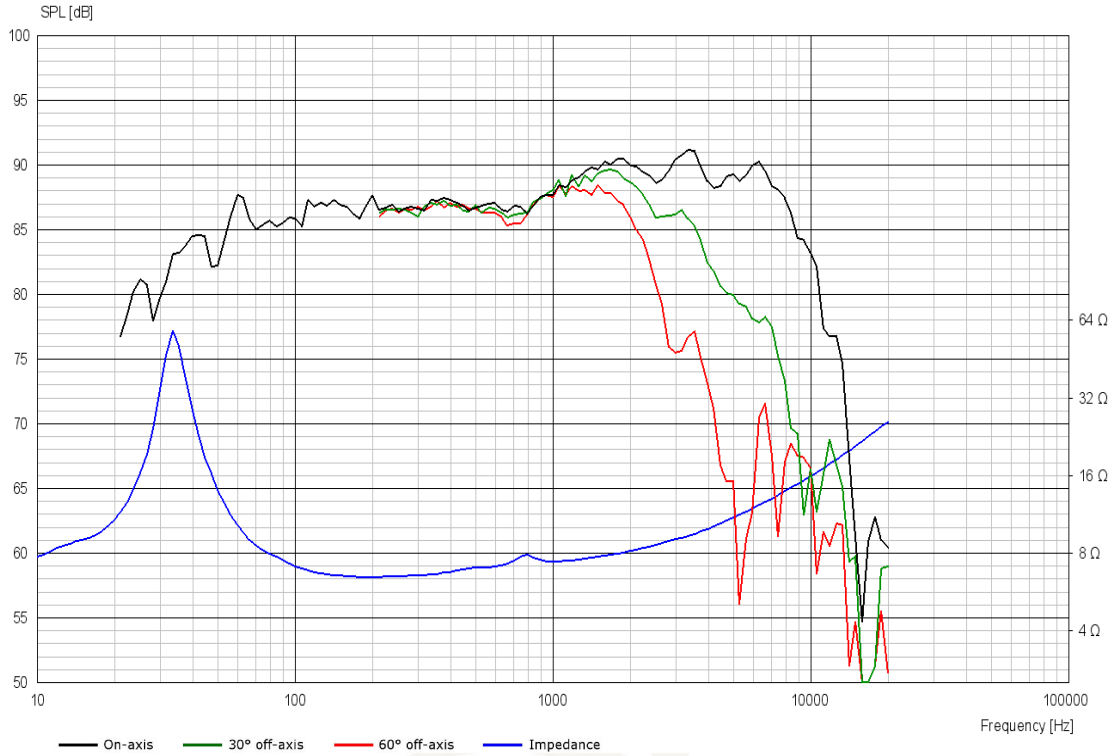




# REVELATOR

## MIDWOOFER

## 18W/8531G00



### Advanced Parameters (Preliminary)



#### Electrical data

Resistance [ $R_{E'}$ ]	5.92 $\Omega$
Free inductance [ $L_{EB}$ ]	0.122 mH
Bound inductance [ $L_E$ ]	2.31 mH
Semi-inductance [ $K_E$ ]	0.026 SH
Shunt resistance [ $R_{SS}$ ]	220 $\Omega$

#### Mechanical Data

Force Factor [ $BI$ ]	6.42 Tm
Moving mass [ $M_{MS}$ ]	17.3 g
Compliance [ $C_{MS}$ ]	1.49 mm/N
Mechanical resistance [ $R_{MS}$ ]	0.57 kg/s
Admittance [ $A_{MS}$ ]	0.17 mm/N

