

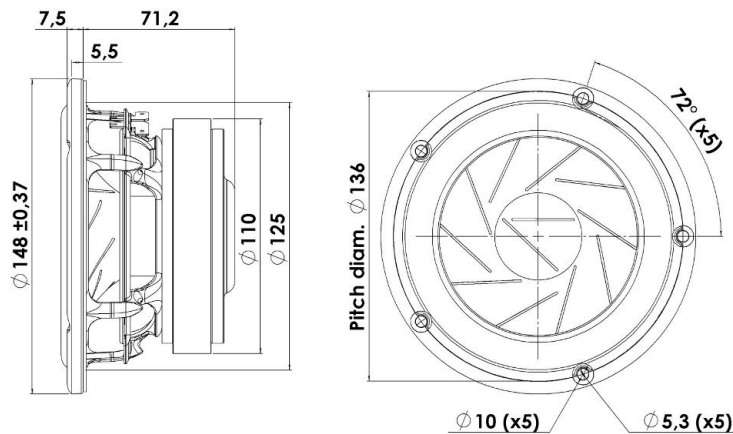


REVELATOR

MIDWOOFER

15W/8531K00

The Revelator midrange and midwoofers, both well known for their sliced paper cone technology. The slices are filled with damping glue, which dramatically reduces break-up modes in the diaphragm. In combination with Scan-Speaks low-loss linear suspension and the patented Symmetrical Drive (SD-1) it represented a breakthrough in midrange clarity and overall smooth frequency response characteristics.



KEY FEATURES:

- Patented Symmetrical Drive Motor Design
- Low-Loss linear suspension
- Die cast Alu Chassis vented below spider
- Sliced Cone (Controls Cone Breakups)
- Low Damping SBR Rubber Surround
- Large Ferrite Magnet System

T-S Parameters

| | |
|-------------------------------|--------------------|
| Resonance frequency [fs] | 32 Hz |
| Mechanical Q factor [Qms] | 5.23 |
| Electrical Q factor [Qes] | 0.33 |
| Total Q factor [Qts] | 0.31 |
| Force factor [Bl] | 6.8 Tm |
| Mechanical resistance [Rms] | 0.50 kg/s |
| Moving mass [Mms] | 13 g |
| Compliance [Cms] | 1.90 mm/N |
| Effective diaph. diameter [D] | 110 mm |
| Effective piston area [Sd] | 95 cm ² |
| Equivalent volume [Vas] | 24.0 l |
| Sensitivity (2.83V/1m) | 85.5 dB |
| Ratio Bl/√Re | 2.82 N/√W |
| Ratio fs/Qts | 103 Hz |

Notes:

IEC specs. refer to IEC 60268-5 third edition.
All Scan-Speak products are RoHS compliant.
Data are subject to change without notice.
Datasheet updated: January 30, 2013.

Electrical Data

| | |
|----------------------------|---------|
| Nominal impedance [Zn] | 8 Ω |
| Minimum impedance [Zmin] | 6.8 Ω |
| Maximum impedance [Zo] | 97.7 Ω |
| DC resistance [Re] | 5.8 Ω |
| Voice coil inductance [Le] | 0.35 mH |

Power Handling

| | |
|--------------------------------|-------|
| 100h RMS noise test (IEC 17.1) | 60 W |
| Long-term max power (IEC 17.3) | 110 W |

Voice Coil & Magnet Data

| | |
|---------------------|----------|
| Voice coil diameter | 38 mm |
| Voice coil height | 18 mm |
| Voice coil layers | 2 |
| Height of gap | 5 mm |
| Linear excursion | ± 6.5 mm |
| Max mech. excursion | ± 9 mm |
| Unit weight | 1.7 kg |

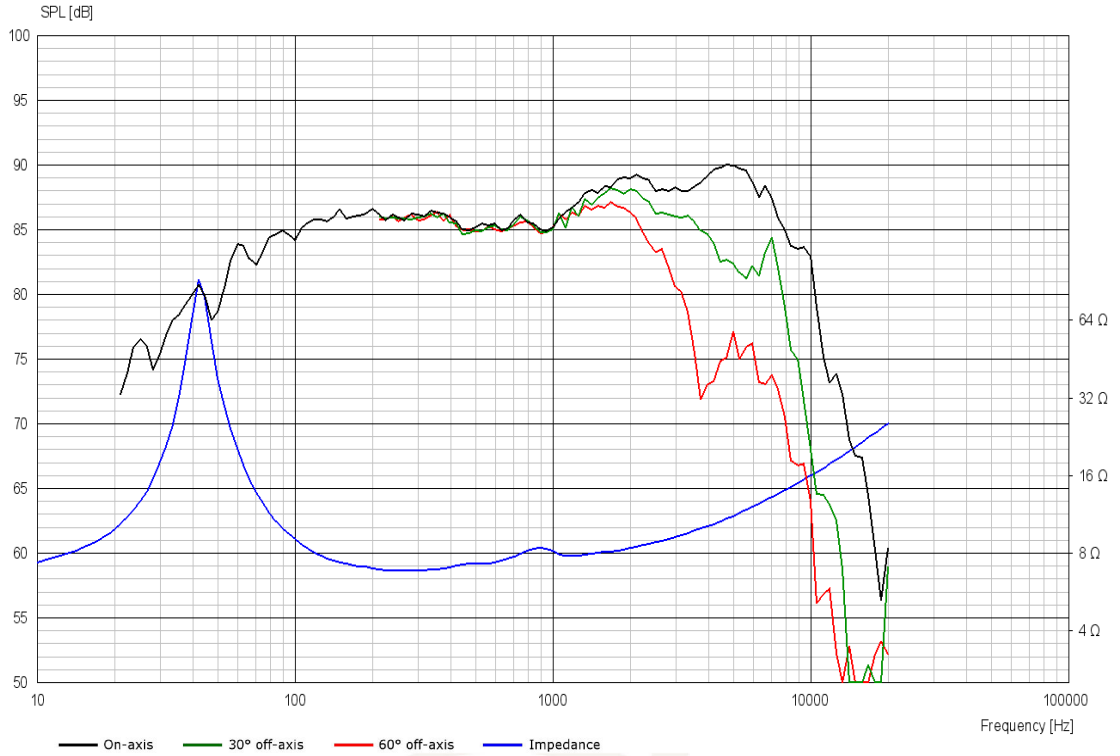




REVELATOR

MIDWOOFER

15W/8531K00



Advanced Parameters (Preliminary)



Electrical data

| | |
|-------------------------------|---------------|
| Resistance [$R_{E'}$] | 5.86 Ω |
| Free inductance [L_{EB}] | 0.122 mH |
| Bound inductance [L_E] | 1.77 mH |
| Semi-inductance [K_E] | 0.026 SH |
| Shunt resistance [R_{SS}] | 86 Ω |

Mechanical Data

| | |
|------------------------------------|-----------|
| Force Factor [BI] | 6.50 Tm |
| Moving mass [M_{MS}] | 12.2 g |
| Compliance [C_{MS}] | 0.99 mm/N |
| Mechanical resistance [R_{MS}] | 0.50 kg/s |
| Admittance [A_{MS}] | 0.09 mm/N |

