

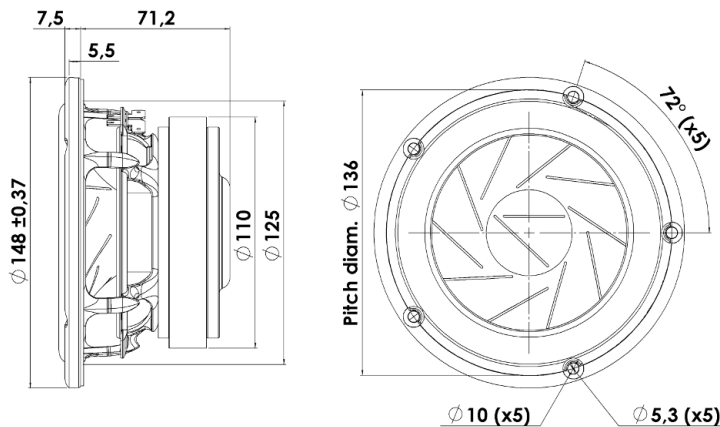


REVELATOR

MIDWOOFER

15W/4531G00

The Revelator midrange and midwoofers, both well known for their sliced paper cone technology. The slices are filled with damping glue, which dramatically reduces break-up modes in the diaphragm. In combination with Scan-Speaks low-loss linear suspension and the patented Symmetrical Drive (SD-1) it represented a breakthrough in midrange clarity and overall smooth frequency response characteristics.



KEY FEATURES:

- Patented Symmetrical Drive motor design
- Low-Loss linear suspension
- Die cast Alu Chassis vented below spider
- Sliced Cone (Controls Cone Breakups)
- Low Damping SBR Rubber Surround
- Large Ferrite Magnet System

T-S Parameters

Resonance frequency [fs]	40 Hz
Mechanical Q factor [Qms]	4.60
Electrical Q factor [Qes]	0.34
Total Q factor [Qts]	0.32
Force factor [Bl]	5.7 Tm
Mechanical resistance [Rms]	0.70 kg/s
Moving mass [Mms]	13 g
Compliance [Cms]	1.25 mm/N
Effective diaph. diameter [D]	110 mm
Effective piston area [Sd]	95 cm ²
Equivalent volume [Vas]	15.8 l
Sensitivity (2.83V/1m)	87 dB
Ratio Bl/√Re	3.09 N/√W
Ratio fs/Qts	125 Hz

Notes:

IEC specs. refer to IEC 60268-5 third edition.
All Scan-Speak products are RoHS compliant.
Data are subject to change without notice.
Datasheet updated: January 30, 2013.

Electrical Data

Nominal impedance [Zn]	4 Ω
Minimum impedance [Zmin]	4.4 Ω
Maximum impedance [Zo]	4.2 Ω
DC resistance [Re]	3.4 Ω
Voice coil inductance [Le]	0.25 mH

Power Handling

100h RMS noise test (IEC 17.1)	60 W
Long-term max power (IEC 17.3)	180 W

Voice Coil & Magnet Data

Voice coil diameter	38 mm
Voice coil height	17.5 mm
Voice coil layers	2
Height of gap	5 mm
Linear excursion	± 6.5 mm
Max mech. excursion	± 9 mm
Unit weight	1.7 kg

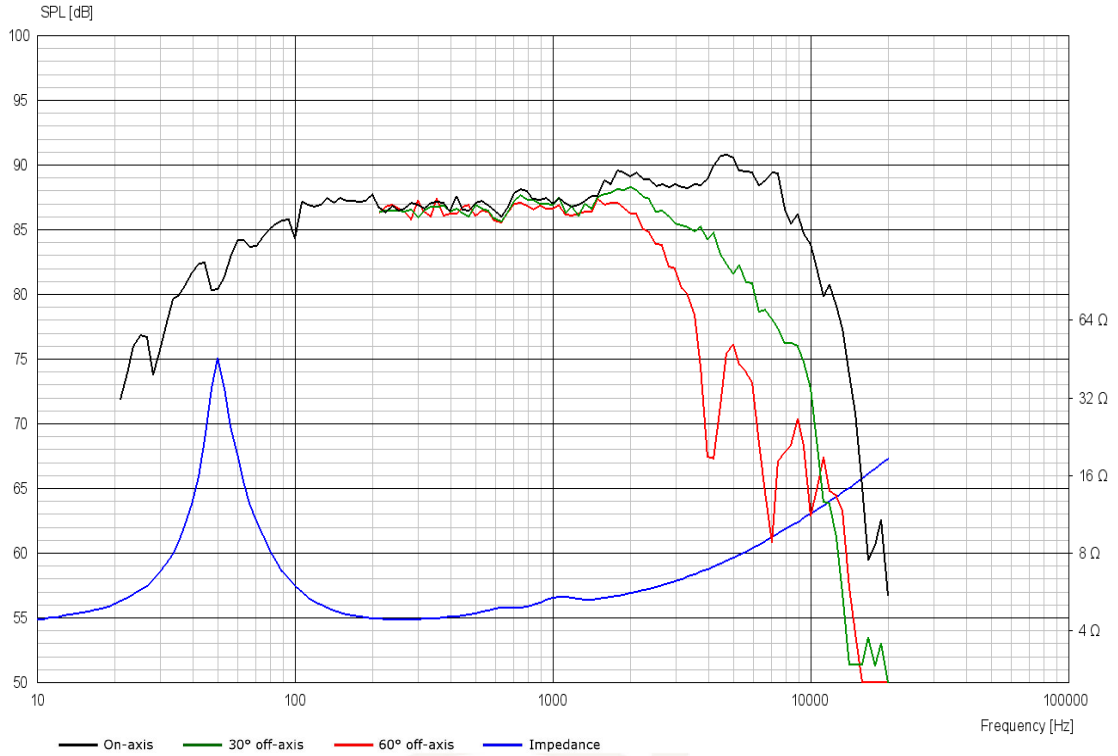




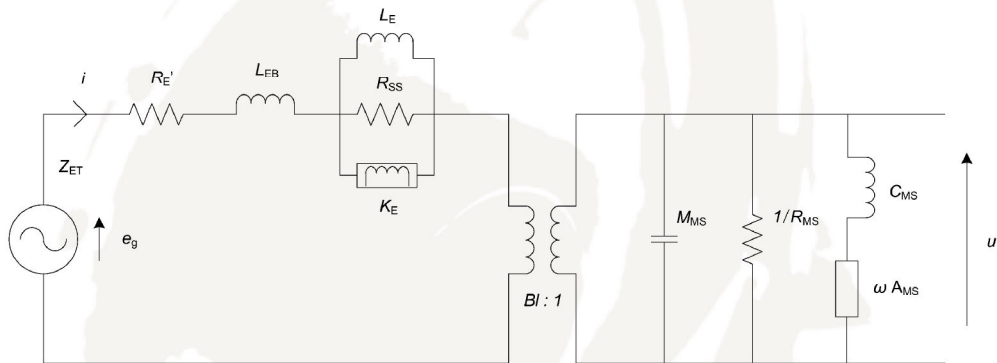
REVELATOR

MIDWOOFER

15W/4531G00



Advanced Parameters (Preliminary)



Electrical data

Resistance [$R_{E'}$]	3.44 Ω
Free inductance [L_{EB}]	0.099 mH
Bound inductance [L_E]	1.11 mH
Semi-inductance [K_E]	0.019 SH
Shunt resistance [R_{SS}]	24 Ω

Mechanical Data

Force Factor [Bl]	5.36 Tm
Moving mass [M_{MS}]	13.1 g
Compliance [C_{MS}]	0.80 mm/N
Mechanical resistance [R_{MS}]	0.48 kg/s
Admittance [A_{MS}]	0.06 mm/N

