

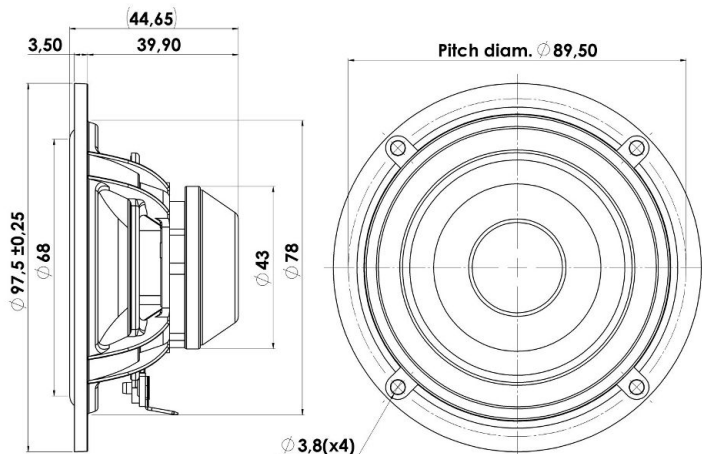


DISCOVERY

FULLRANGE

10F/8414G10

The Discovery series offer traditional design, superior sound, a solid construction, and a wide range of variants. Combining these elements - plus a wealth of technical features and finesses - gives our customers the possibility of acquiring a tailor-made Scan-Speak solution with very good performance at a reasonable low price point!



KEY FEATURES:

- Wide Frequency Range
- Compact Neo magnet Motor
- Copper Cap on Pole Piece
- Vented Alu. Chassis, SBR Rubber Surround
- High Sensitivity 86dB/2,83V
- Coated NRSC Fibre Glass Cone (patent)

T-S Parameters

Resonance frequency [fs]	100 Hz
Mechanical Q factor [Qms]	2.44
Electrical Q factor [Qes]	0.65
Total Q factor [Qts]	0.51
Force factor [Bl]	4.27 Tm
Mechanical resistance [Rms]	0.76 kg/s
Moving mass [Mms]	2.93 g
Compliance [Cms]	0.86 mm/N
Effective diaph. diameter [D]	68 mm
Effective piston area [Sd]	36.3 cm ²
Equivalent volume [Vas]	1.57 l
Sensitivity (2.83V/1m)	86 dB
Ratio Bl/√Re	1.71 N/√W
Ratio fs/Qts	196 Hz

Notes:

IEC specs. refer to IEC 60268-5 third edition.
All Scan-Speak products are RoHS compliant.
Data are subject to change without notice.
Datasheet updated: June 7. 2013.

Electrical Data

Nominal impedance [Zn]	8 Ω
Minimum impedance [Zmin]	6.8 Ω
Maximum impedance [Zo]	28.4 Ω
DC resistance [Re]	6.3 Ω
Voice coil inductance [Le]	0.11 mH

Power Handling

100h RMS noise test (IEC 17.1)	10 W
Long-term max power (IEC 17.3)	20 W

Voice Coil & Magnet Data

Voice coil diameter	19.4 mm
Voice coil height	8.7 mm
Voice coil layers	2
Height of gap	4 mm
Linear excursion	± 2.3 mm
Max mech. excursion	± 7.5 mm
Unit weight	0.16 kg

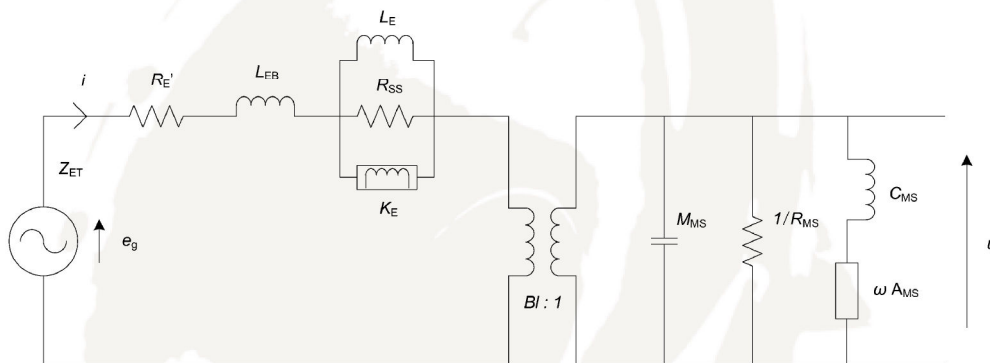


FULLRANGE

10F/8414G10



Advanced Parameters (Preliminary)



Electrical data

Resistance [Re']	6.40 Ω
Free inductance [Leb]	0.029 mH
Bound inductance [Le]	0.57 mH
Semi-inductance [Ke]	0.062 SH
Shunt resistance [Rss]	4 Ω

Mechanical Data

Force Factor [BI]	4.29 Tm
Moving mass [Mms]	2.8 g
Compliance [Cms]	0.72 mm/N
Mechanical resistance [Rms]	0.84 kg/s
Admittance [Ams]	0.11 mm/N