



ST 1048

Supreme Tweeter,

Ø 104mm, 8Ω

SPECIFICATIONS

General Data		
Overall Dimensions	DxH	104mm(4.09")x40mm(1.57")
Nominal Power Handling (DIN)	P	220W/12dB
Transient Power 10ms		1000W
Sensitivity 1W/1M		91.5dB SPL
Frequency Response		1400-22,000 Hz
Cone/Dome Material		Acuflex™ hand coated soft dome
Net Weight	Kg	0.435

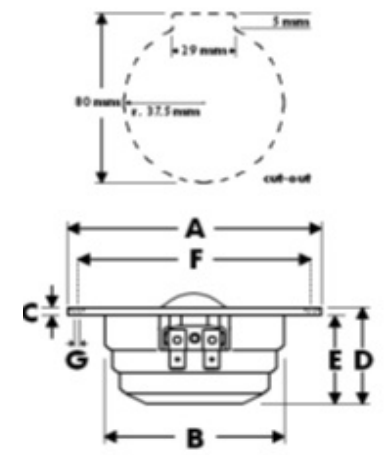
Electrical Data		
Nominal Impedance	Z	8Ω
DC Resistance	Re	5.2Ω
Voice Coil Inductance @ 1KHz	LBM	0.09mH

Voice Coil and Magnet Parameters		
Voice Coil Diameter	DIA	28mm
Voice Coil Height		2.7mm
HE Magnetic Gap Height	HE	4.2mm
Max. Linear Excursion	X	
Voice Coil Former		Aluminum
Voice Coil Wire		Hexatech™ Aluminum
Number Of Layers		2
Magnet System Type		Neodymium Flat Pancake
B Flux Density	B	1.8 T
BL Product	BXL	

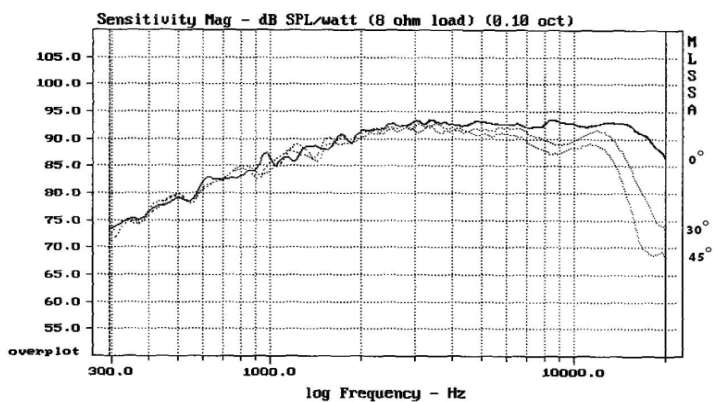
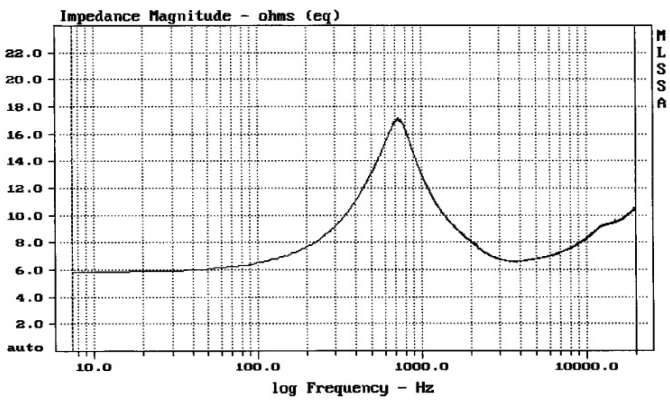
T-S Parameters		
Suspension Compliance	Cms	
Mechanical Q Factor	Qms	
Electrical Q Factor	Qes	
Total Q Factor	Qts	
Mechanical Resistance	Rms	
Moving Mass	Mms	0.44 g
Eq. Cas Air Load (liters)	VAS	
Resonant Frequency	Fs	680 Hz ±10%
Effective Piston Area	SD	6.0 cm ²

- #### Features
- * Underhung voice coil
 - * Large Hexatech™ aluminum voice coil
 - * 104mm IDR™ Improved Dispersion Recess
 - * Aluminum Face Plate
 - * Replaceable Acuflex™ dome / coil assembly
 - * Neodymium flat pancake design magnet
 - * High power handling

Unit Dimensions



A - Overall diameter	104mm
B - Magnet/Chamber diameter	75mm
C - Flange thickness	3mm
D - Overall height	40mm
E - Magnet/Chamber depth	37mm
F - Mounting holes location diameter	94mm
G - 6 Mounting holes, at 60° interval,	
inner hole diameter	Ø 3.7mm
pocket	h 1mm, Ø 7mm



Faceplate finish available in either Black or Silver

Morel operate policy of continuous product design improvement, consequently specifications are subject to alteration without prior notice.