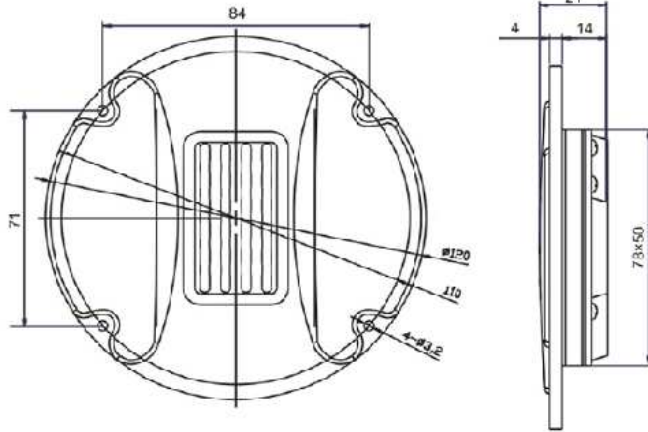


RT1.3WE



Specifications

General Data

Nominal Power Handling (Pnom)(W)	10
Max Power Handling (Pmax)(W)	30
Sensitivity (2.83v/1m)(dB)	92
Weight (M)(Kg)	0.2

Electrical Data

Nominal Impedance (Z)(Ω)	6
DC (Re)(Ω)	5.4

Voice Coil and Magnet Parameters

Magnet Former

Neodymium

