

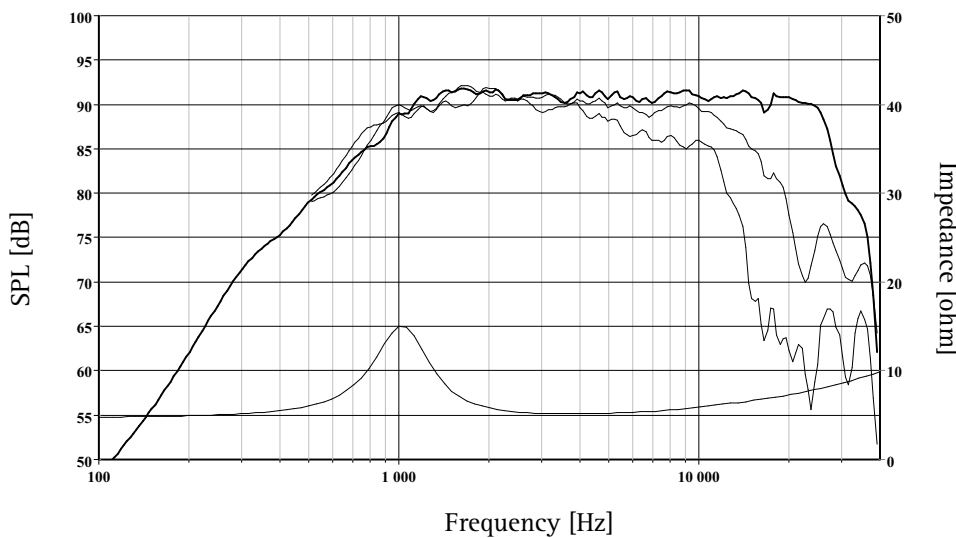
27TFF is a High Fidelity precoated fabric dome tweeter with an integrated wide surround.

Sonolex precoated lightweight fabric diaphragm with high consistency and excellent stability against variations in air humidity

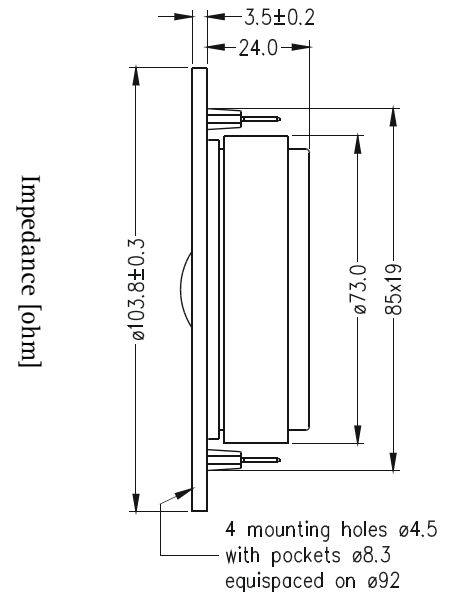
Voice coil windings immersed in magnetic fluid increase short term power handling capacity and reduce the compression at high power levels.

Optimally damped cavity in the pole piece controls and slightly lowers the fundamental resonance.

The chassis is precision moulded from glass fibre reinforced plastic, and its front design offers optimum radiation conditions.



The frequency responses above show measured free field sound pressure in 0, 30, and 60 degrees, mounted in a 0.6m by 0.8m baffle. Input 2.83 Vrms, microphone distance 0.5m, normalized to SPL 1m. The impedance is measured without baffle using a 2V sine signal.



Nominal Impedance	6 Ohms	Voice Coil Resistance	4.8 Ohms
Recommended Frequency Range	2000 - 25000 Hz	Voice Coil Inductance	0.05 mH
Short Term Power Handling *	220 W	Force Factor	3.5 N/A
Long Term Power Handling *	90 W	Free Air Resonance	1200 Hz
Characteristic Sensitivity (2.83V, 1m)	92 dB	Moving Mass	0.30 g
Voice Coil Diameter	26 mm	Effective Piston Area	7.5 cm ²
Voice Coil Height	1.5 mm	Magnetic Gap Flux Density	1.8 T
Air Gap Height	2.0 mm	Magnet Weight	0.25 kg
Linear Coil Travel (p-p)	0.5 mm	Total Weight	0.50 kg