



PT2522C-4 3-1/2" PLANAR TWEETER WITH BACK CUP 4 OHM

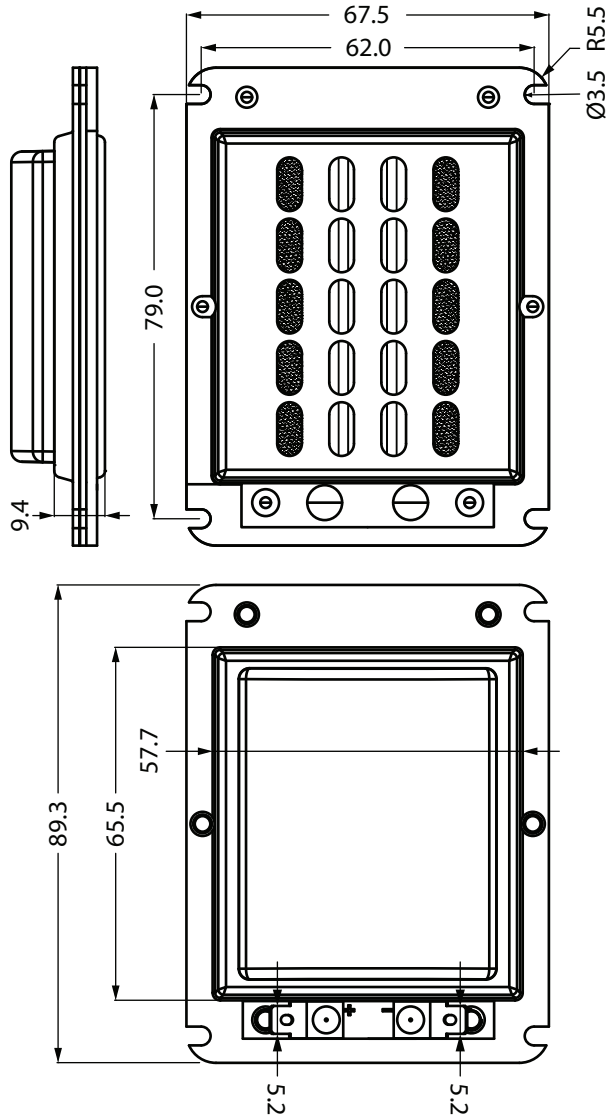
FEATURES

- Extremely low mass diaphragm provides excellent transient response and accuracy
- Large diaphragm produces high efficiency and wide bandwidth
- Multiple neodymium magnets in push pull arrangement for incredible control and low distortion
- Remarkably flat response even at 30 degrees off axis
- Linear impedance simplifies crossover design
- Shallow mounting depth for use in low profile designs

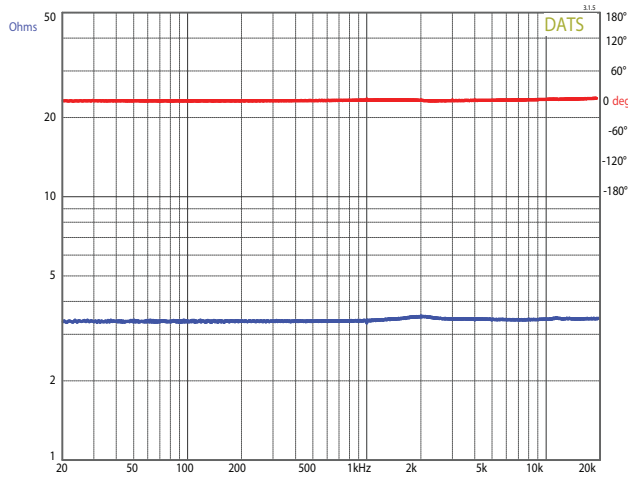
PARAMETERS

Impedance	4 ohms
Re	3.4 ohms
Le	0.01 mH @ 10 kHz
Fs	N/A
Qms	5.16
Qes	N/A
Qts	4.46
Mms	N/A
Cms	N/A
Sd	20.2 cm ²
Vd	N/A
BL	N/A
Vas	N/A
Xmax	N/A
VC Diameter	N/A
SPL	94 dB @ 2.83V/1m
RMS Power Handling (EIA RS-426B)	20 watts
Usable Frequency Range (Hz)	1,800 - 20,000 Hz

MECHANICAL DRAWING



IMPEDANCE/PHASE



FREQUENCY RESPONSE

