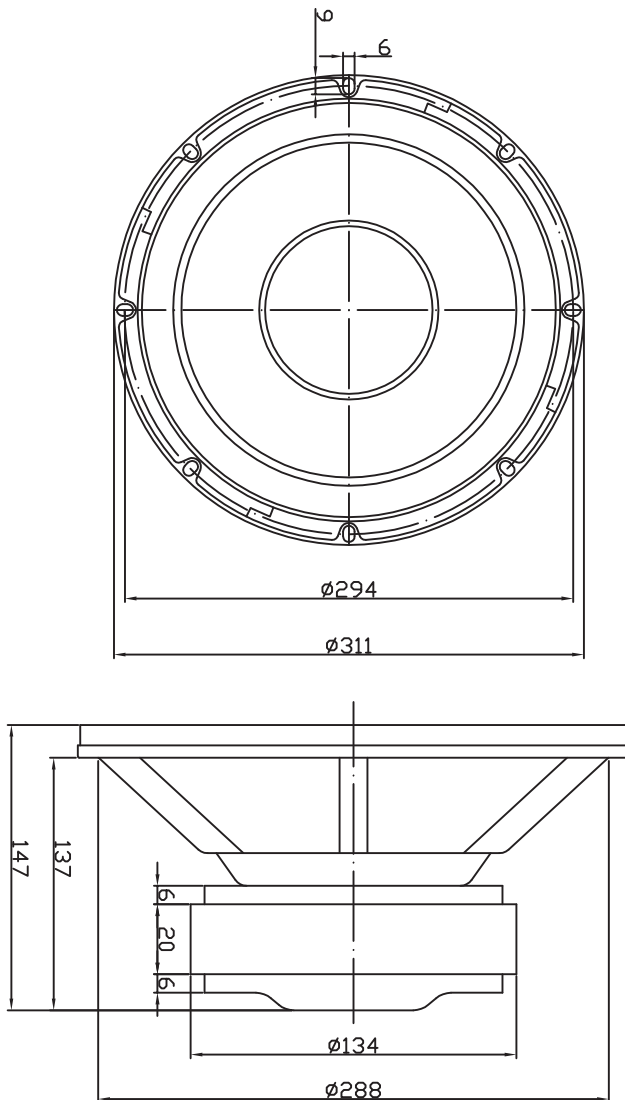




**12SW-4**  
**12" POLY CONE**  
**SUBWOOFER**  
**4 OHM**

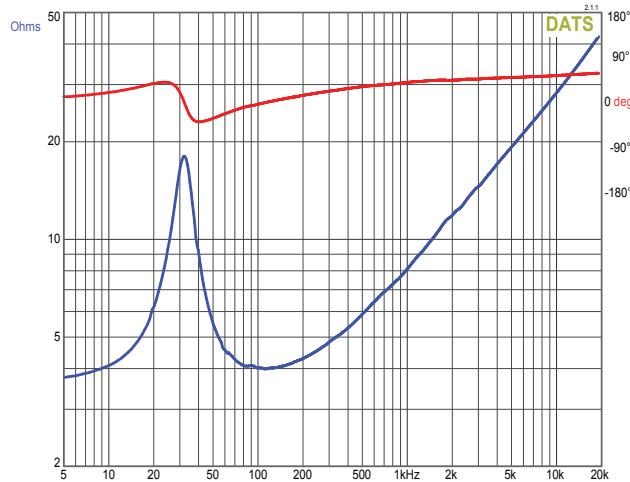
**MECHANICAL DRAWING**



**FEATURES**

- Large 2" voice coil and bumped back plate enable high power handling
- Butyl rubber surround ensures high excursion and long-term durability
- Polypropylene cone for perfect balance of stiffness, mass, and self-damping
- Long-throw design for deep, powerful bass
- Great replacement speaker

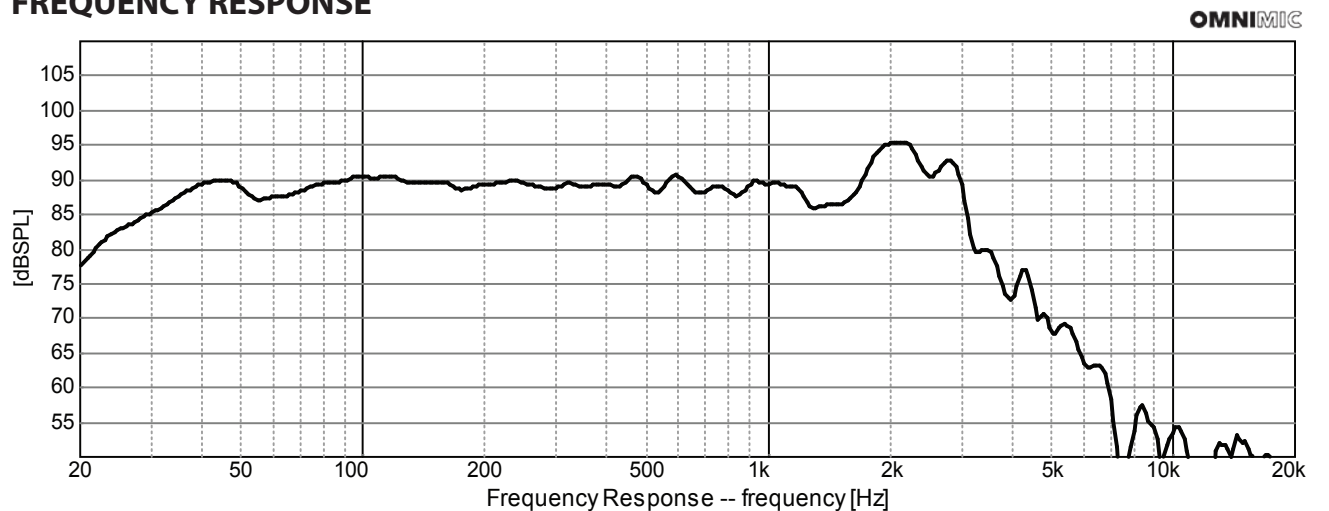
**IMPEDANCE/PHASE**



**PARAMETERS**

Impedance	4 ohms
Re	3.7 ohms
Le	1.2 mH
Fs	32 Hz
Qms	4.01
Qes	1.02
Qts	0.82
Mms	124.6 g
Cms	0.20 mm/N
Sd	501.3 cm <sup>2</sup>
Vd	426 cm <sup>3</sup>
BL	9.5 Tm
Vas	69.2 liters
Xmax	8.5 mm
VC Diameter	51 mm
SPL	89 dB @ 2.83V/1m
RMS Power Handling (AES 426B)	120 watts
Usable Frequency Range (Hz)	29 – 800 Hz

**FREQUENCY RESPONSE**



Note: 1/24<sup>th</sup> octave smoothing - nearfield response included in graph below 450 Hz.