

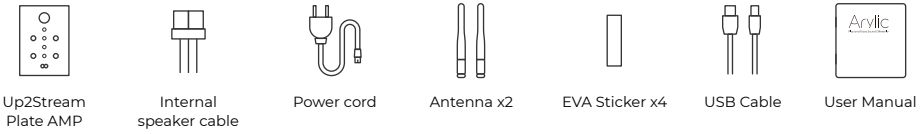
Up2Stream Plate AMP

1. Introduction

Up2Stream Plate AMP is a WiFi and Bluetooth 5.0 stereo plate amplifier that makes it easy to add high-quality wireless streaming to your speakers. Up2Stream Plate AMP is a full range Class D plate amplifier provides 40W L&R channels, 3.5mm Aux input, USB input for PC connection, Speaker out for Right channel and Subwoofer out for active subwoofer.

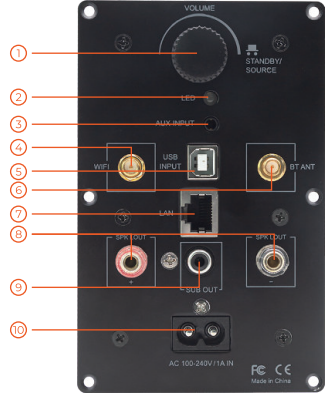
Once connected to your home network, using our 4Stream app, you can play music from your mobile, NAS or from online streaming services like Spotify, Deezer, Tidal, Qobuz and more. With multiple devices, the wireless multiroom audio system can play the same music to each room in sync or play different music to different rooms.

2. What's in the box



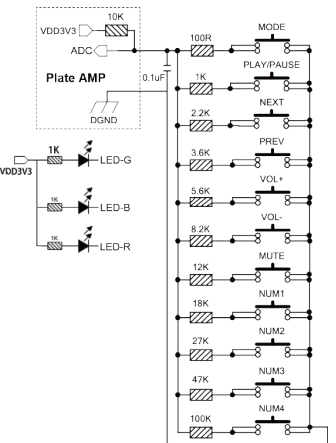
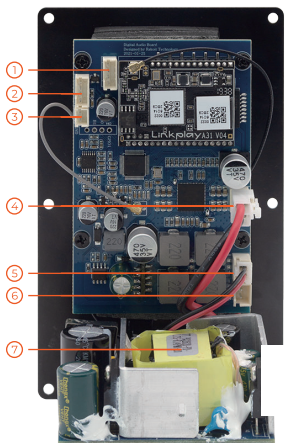
3. Interface

- ① **Volume Knob**
Volume knob for changing volume level.
Press the knob once to change input source.
Quickly press the knob twice to reset WiFi or Bluetooth connection.
Press and hold the knob for 3 seconds to standby/wakeup the device.
- ② **LED**
Indicates different input source of the device.
White for WiFi, slowly flashes means it is waiting for connection.
Blue for Bluetooth, slowly flashes means it is waiting for connection.
Green for AUX input.
Yellow for USB connection.
- ③ **AUX Input**
For connection of analog stereo audio signal using a 3.5mm to 3.5mm or 3.5mm to RCA cable.
- ④ **WiFi Antenna Socket**
Use to connect antenna to receive WiFi signal.
- ⑤ **USB Input**
For connection to PC to act as USB DAC, or to use our DSP tool ACPWorkbench.
- ⑥ **Bluetooth Antenna**
Use to connect antenna to receive Bluetooth signal.
- ⑦ **LAN**
For network connection using RJ45 cable.
- ⑧ **L Channel Speaker Out**
For connection to a remote full range speaker to output L Channel audio.
Please pay attention to the positive and negative polarity. The amplifier will provide upto 40W into a 4 ohm impedance through this connection.
- ⑨ **Subwoofer Out**
For connection to an active (powered) subwoofer using RCA cable. The subwoofer crossover frequency is set at 300Hz.
- ⑩ **AC Input**
Connect power to AC Input using the included power cord. The internal power supply accommodates a full range of operating voltages from 100-240V.



- ① **PH2.0-4P: LED-G, VCC3V3, LED-B, LED-R**
LED Pins used to extend the LED light.
- ② **PH2.0-4P: VCC3V3, GND, IR, ADC**
PIN IR is used for connection to IR receiver
PIN ADC is used for external buttons, please refer to the circuit on the right for key definitions
- ③ **PH2.0-2P: GND, SPDIF2**
Pins for external SPDIF input
- ④ **VCC IN, GND**
For power input
- ⑤ **R Channel -, R Channel +**
Left Channel speaker output
- ⑥ **L Channel -, L Channel +**
Left Channel speaker output
- ⑦ **Internal Power Supply**

CAUTION: Do not touch the power supply when power is connected. Be ware of electric shock.



4. How To Use

4.1 App download

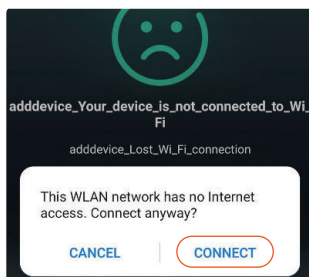
Download the 4STREAM application from App Store for iOS based devices and Google Play Store for Android based devices. The application supports English, Spanish, French, German, Italian, Portuguese, Korean, Simplified Chinese, Traditional Chinese and Japanese



4.2 First time usage & BLE WiFi Setup

- 1) Power up the device.
- 2) The LED light will start flashing, wait till the LED flash slowly.
- 3) Make sure your mobile has connected to your home network using 2.4G and your GPS and Bluetooth is on.
- 4) Open 4Stream APP, for Android device, the system will ask for permission to use GPS data & File storage, please click accept to continue. This GPS permission is setup by Google for BLE usage, once setup is finish you can go to system settings and disable it, file storage permission is to let 4Stream access your mp3 files store in your mobile.
- 5) 4Stream APP will list out all the device available for setup, choose the one you want.
- 6) 4Stream APP will then ask you to choose the network you want the device to connect to, choose the one you want to connect.
- 7) Now enter password for your network, if this is not the network you want the device to connect, you can change it to the desire one.
- 8) Once connection is finished, it will automatically check for new updates.
- 9) Then you can change the name of the device. You can select a preset one or enter your own.
- 10) After you define the name of the device, you will see it appears in the device list in 4stream app and now you can start streaming music.

*If you change to another router, or the password of the connected router has been changed, please long press the volume knob for 3 secs in WiFi mode to reset the connection.



Attention for Android users Different brand mobile phones may ask you to allow to use SoundSystem WiFi network, please choose yes, if not, you may not able to set up successfully. It may also ask you to authorize other things, please choose yes or it may affect your usage.

4.3 Connection via LAN

Plug in the wired cable to the RJ45 Ethernet, the device will show on the app in about 10 seconds. (Note: the cell phone and the device must be in the same network)

4.4 Bluetooth

To use bluetooth, please switch to bluetooth via app or by remote controller, then find the bluetooth device SoundSystem_XXXX from your phone bluetooth setting and pair it.

4.5 USB Audio

Power up and connect the Up2Stream Plate AMP to your PC with USB cable. The PC will automatically discover a USB sound card, and when you activated it as the system main output, the PC will send the audio output over Up2Stream Plate AMP in digital (44.1KHz/16bits). You can stream to other Up2Stream devices over multiroom connection. NOTE: there's about 3 seconds delay for multiroom slave devices.

4.6 Up2Stream ACPWorkbench (Sell Separately)

Connect the Up2Stream device to your PC with USB. Open the program ACPWorkbench (only support Windows), and you can tune audio effects conveniently, including Music Noise Suppressor, Virtual Bass, Stereo Widener, Exciter, 10 bands EQ, Configure output channel and PIN configs. After editing the audio effects, you can save the changes to the device so the tuned effects will remain. You can get more information from our website.

4.7 Firmware Update

The application will notify you in app when there is a new firmware version available. It is recommended to update firmware whenever available as this might not only correct bugs or improve security, but also can add new features or services.

5. Specification

Interfaces		
Audio Input	AUX (3.5mm)	Max 1V RMS input
	USB	for PC connection (16bit/44.1kHz) and ACPWorkbench tuning
	Bluetooth 5.0	AAC, SBC
Audio Output	Subwoofer Output	20-300Hz Max 2V RMS
	Line out	Left channel speaker output
Network	WiFi	2.4G
	LAN	RJ45
Speaker Power		
Stereo	40W x2 @4Ω	
	20W x2 @8Ω	
General		
Power Supply	AC100-240V 50/60Hz 1A	
Volume Knob	Adjust volume	
Signal Noise Ratio	≥85dB @ max	
THD+N	<0.9% @ 1KHz, 1W	
Crosstalk	>55dB @1KHz	
Size	135.3 x 85.3 x 77.3 mm	
Weight	0.3kg	

Scan the QR codes below for more



www.arylic.com



4STREAM App



Facebook: arylicme



YouTube: Arylic