



you can hear the difference
High performance speakers from HiVi



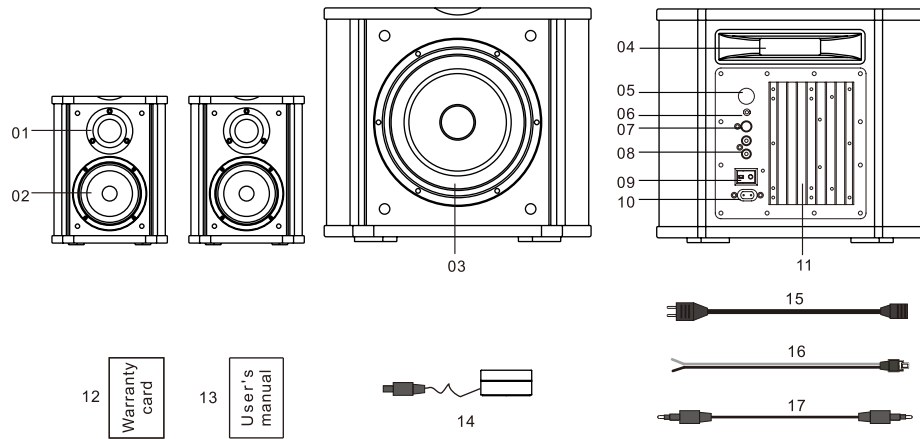
M-50W
Multimedia Active Speaker System

I. Unpacking

These speakers were packed to prevent damage during shipping. When you unpack the carton, please make sure that all accessories are included.

- Active subwoofer: 1 piece
- Satellite speaker: 2 pieces
- Volume control: 1 piece
- Speakers connection cable: 2pc
- 3.5 to 3.5mm (mini plug) cable: 1pc
- Manual and warranty card: 1 piece each.

II. Figures of speaker functions and electrical parts:



- | | |
|-------------------------|------------------------------------|
| 01. Tweeter | 10. Power socket |
| 02. Mid range driver | 11. Heat sink |
| 03. Woofer | 12. Warranty card |
| 04. Rear port | 13. User's manual |
| 05. volume control knob | 14. volume control |
| 06. Audio input | 15. Power cable |
| 07. Volume input | 16. Speakers connection cable |
| 08. Audio out | 17. 3.5 to 3.5mm (mini plug) cable |
| 09. Power switch | |

VII. Maintenance

The M50W is a hi-end multimedia speaker which can be operated under normal conditions without requiring any maintenance. Avoid using any corrosive liquids or gasses on the surface of the speakers and drivers. Do not place in high temperatures, high humidity, or areas with dramatic changes in temperature or humidity. Do not place in direct sunlight for extended periods of time. To clean, use a soft, dry cloth to remove dust. Use a mild detergent with a damp cloth to remove dirt.



Avoid magnets



Do not touch the drivers with hands



Do not place in direct sunlight for extended periods of time



Avoid corrosive liquids and gasses



Do not place in high heat or humidity for extended periods of time

VIII. Trouble shooting

1. Problems with sound quality
 - a. Do all drivers have sound? Is there a problem with the speaker?
 - b. Is the audio cable securely connected to the speaker and the output of the computer?
2. No sound at all
 - a. Is the power cable plugged in? Is the power turned on?
 - b. Is the audio cable from the computer damaged? Is it connected to the computer and speaker?
 - c. Check the sound card driver and volume control settings on your computer.
3. Only one speaker has sound
 - a. Is the audio cable properly connected?
 - b. Is the audio cable damaged? Check for any short circuits.
 - c. Check the volume control and balance settings on your computer

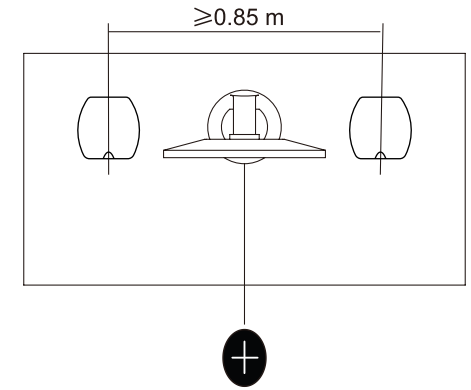
IX. Warranty

If the problems still exist, please contact the local dealer to handle.

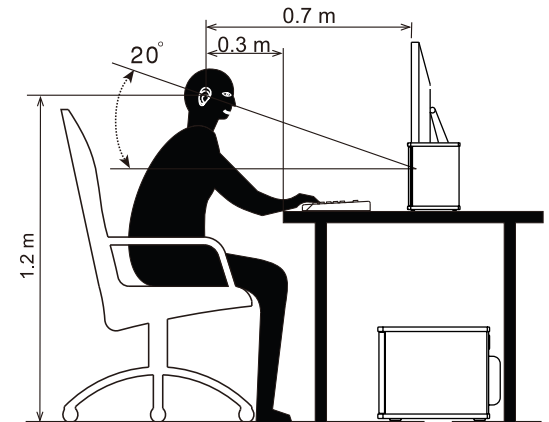
III. Speaker placement and environment

1. Speaker placement

The M50W is a 2.1 multimedia speaker system with two satellite speakers and one active subwoofer. It sounds best when the satellite speakers are placed on the desk, one speaker on each side of your computer screen. The speakers should be placed at least 70cm (35") apart. The active subwoofer should be placed on or near the desk. (see figure 1-2) This will produce a natural sound field. You may need to adjust the distance and angle to get the best stereo image and sound field.



Creating an ideal sound environment not only requires good equipment but also the proper treatment of the environment such as reducing echoes and reverberation timing. Speaker placement can directly affect the sound quality, sound transparency, and whether or not the sound field has actually been reproduced. The size, proportion, and furnishings of a room will also affect the sound quality. The length, width, and height of a room cannot be doubled or quadrupled to either of the others or it will produce standing waves. Standing waves will cause an unnatural bass boost at a specific frequency and affect the mix. Large areas of hard surfaces (walls or windows) will cause echoes which will also negatively affect the sound.



2. We suggest the following simple methods to treat the sound environment:

*Use an area rug on hardwood floors (or other hard surface flooring) to reduce reflections.

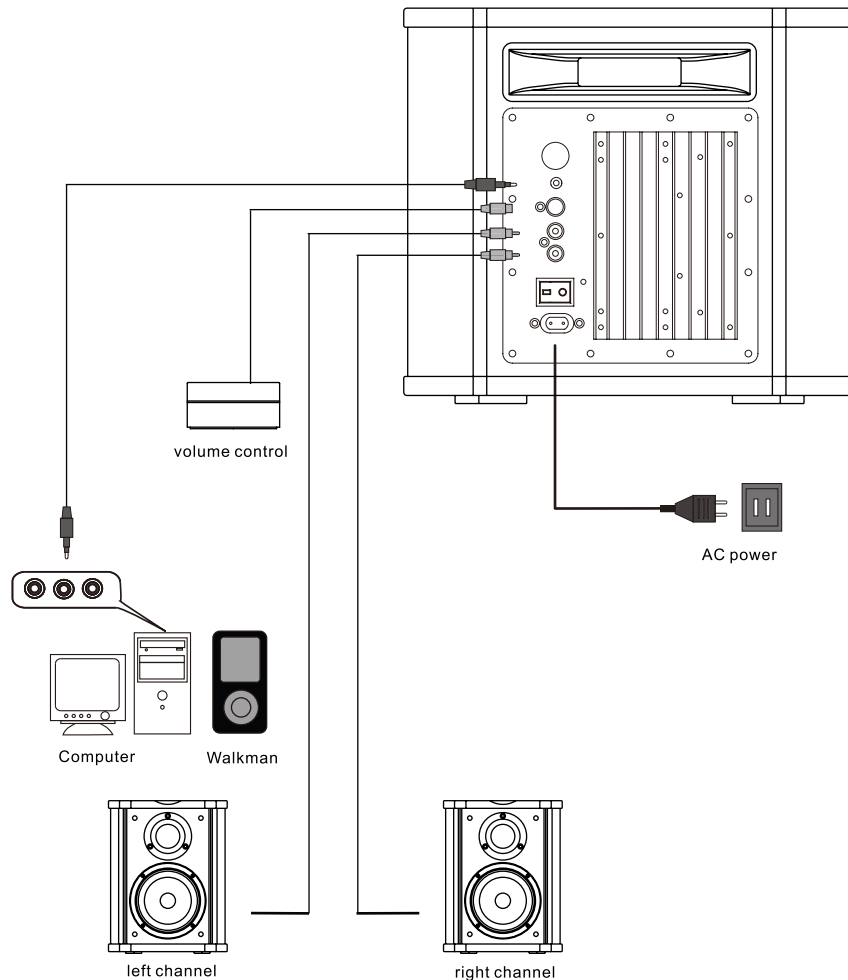
*Hang some materials on the walls to absorb sound, such as cotton or flax decorations.

*Use thick curtains to reduce reflections from windows or walls.

IV. Speaker connections

1. Connect the satellite speakers with the subwoofer:
Insert the ends of the RCA plug into the output on the back of the subwoofer and the audio input terminals of the satellite speakers. Make sure the pins are fully inserted to avoid loose connections.

2. Connect the speaker with the computer
Insert the plug of the amplifier and volume control into the audio input on the back of the subwoofer.



3. Power connection

Make sure the power switch is OFF . Turn the volume all the way down. Take the provided power cord, plug it into the power input on the rear of the subwoofer, and plug the other end into an available power outlet.

4. Double check all your connections are correct, then turn the power switch ON.

Caution:

1. Please make sure the power is switched off when connecting the power cable.
2. Make sure the connection is firm to avoid influencing sound quality.
3. The quality of cables will directly influence the sound quality. We suggest using the cables provided by HiVi.

V. Listen to the music

1. Press the top of the amplifier and volume control, then you can switch the sound between normal and mute mode.
2. Adjust the volume knob to the proper level. Also adjust the subwoofer volume to achieve the sound you like.

Note:

1. The M50W is a hi-end speaker system which can reproduce the original sound details with high fidelity. Choose a high quality sound card to match or it could create an inferior sound quality.
2. Do not turn the volume knob or the subwoofer volume knob to maximum. Doing so may damage the amp and drivers.

VI. Break-in

Break-in refers to the aging period for the speakers to where they perform best acoustically. Upon purchase the speakers are not broken-in. A period ranging from 48-100 hours of usage is recommended before both the amplifier and speaker drivers behave optimally.