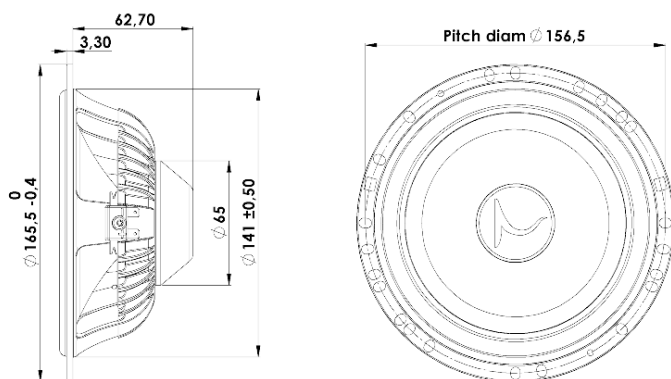


16 cm Midwoofer

16W/4434G00



T-S Parameters:

Resonance frequency [fs]	55 Hz
Mechanical Q factor [Qms]	3.06
Electrical Q factor [Qes]	0.56
Total Q factor [Qts]	0.48
Force factor [Bl]	4.8 Tm
Mechanical resistance [Rms]	1.41 kg/s
Moving mass [Mms]	12.5 g
Compliance [Cms]	0.67 mm/N
Effective diaph. diameter [D]	131 mm
Effective piston area [Sd]	138 cm ²
Equivalent volume [Vas]	17.9 l
Sensitivity (2,83V/1m)	90.5 dB

Mechanical Data:

Voice coil diameter	32 mm
Voice coil height	12 mm
Voice coil layers	2
Gap height	4 mm
Linear excursion	± 4 mm
Max mech. excursion	± 8 mm
Unit weight	0.6 kg
Cabinet Displacement Volume	0.20 l

Electrical Data:

Nominal impedance [Zn]	4 Ω
Minimum impedance [Zmin]	3.8 Ω
Maximum impedance [Zo]	19.4 Ω
DC resistance [Re]	3 Ω
Voice coil inductance [Le]	0.35 mH

Power Handling:

100h RMS noise test (IEC 18.4)	40 W
Long-term max power (IEC 18.2)	- W
X-over:	None

Key Features:

- Optimized for Car Use
- EURO-DIN mounting flange
- Aluminium Die cast Basket
- Shallow mounting dimension
- Black Coated NRSC Fibre Glass Cone
- Low Loss Suspension, with Rubber Surround

Recommendations (please see Tech Note):

- Operating frequency range: fs-4000 Hz
- Cabinet volume - closed box: Vbox=23 ltr, f(-3dB)=74 Hz
- Cabinet volume - vented box: Vbox=44 ltr, fb=42 Hz, f(-3dB)=37 Hz

