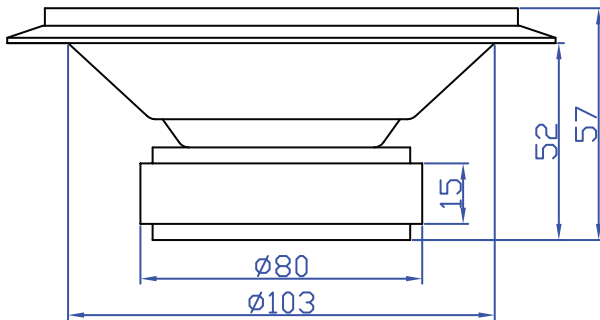
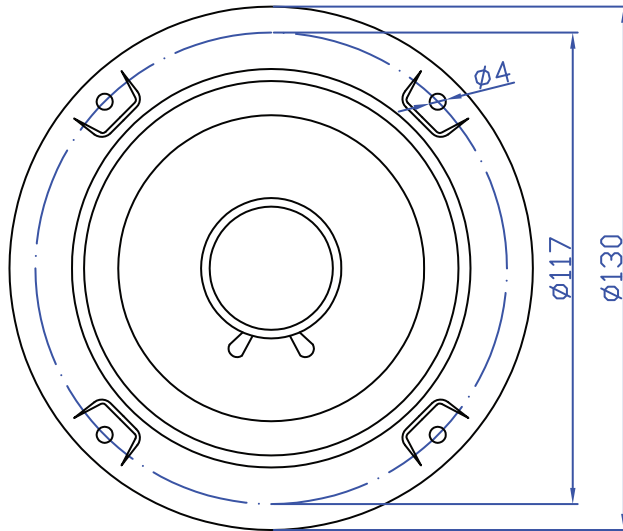




**SPBF-8**  
**5-1/4" SEALED BACK**  
**MIDRANGE WITH**  
**1" VOICE COIL**  
**8 OHM**

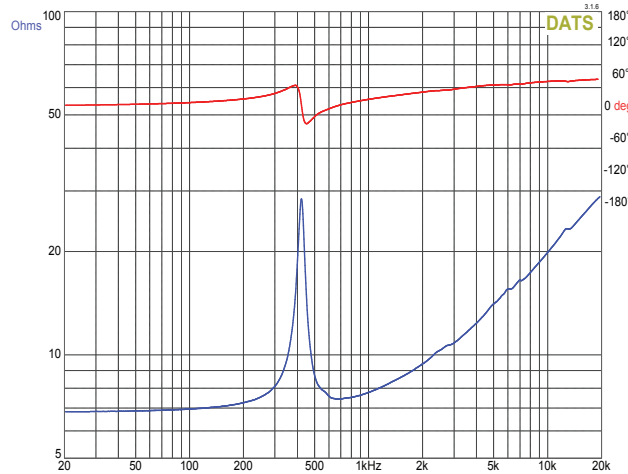
**MECHANICAL DRAWING**



**FEATURES**

- Sealed frame design eliminates the need for a separate enclosure
- High sensitivity for maximum output
- Extended frequency range out to 9,000 Hz
- Economic way to add a dedicated midrange to a system
- Polyamide voice coil for high power handling

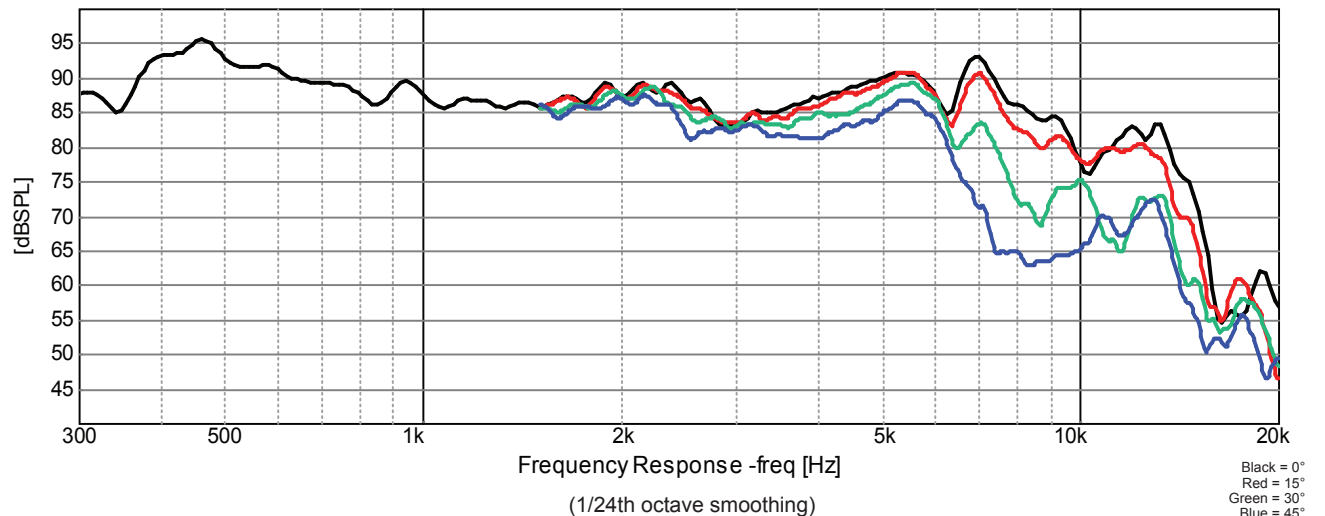
**IMPEDANCE/PHASE**



**PARAMETERS**

Impedance	8 ohms
Re	6.9 ohms
Le	0.28 mH @ 1kHz
Fs	421 Hz
Qms	13.0
Qes	4.13
Qts	3.14
Mms	N/A
Cms	N/A
Sd	N/A
Vd	N/A
BL	N/A
Vas	N/A
Xmax	N/A
VC Diameter	1"
SPL	92 dB @ 2.83V/1m
RMS Power Handling	60 watts
Usable Frequency Range (Hz)	500 – 9,000 Hz

**FREQUENCY RESPONSE**



OMNIMIC

Black = 0°  
 Red = 15°  
 Green = 30°  
 Blue = 45°