

Model No.: SDS-P830878

Rev: 1

Product Line: Peerless

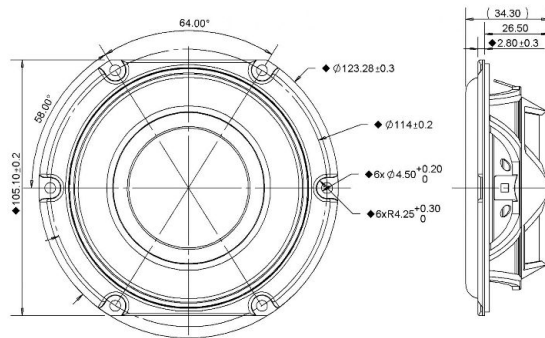
Last Update: 2017-04-25 21:32:09

Product Description

This 4 inch member of the SDS family is a passive radiator, designed to match up with SDS subwoofers, and features a coated paper cone with rubber surround, and a narrow-profile steel basket shaped to fit into narrow cabinets.



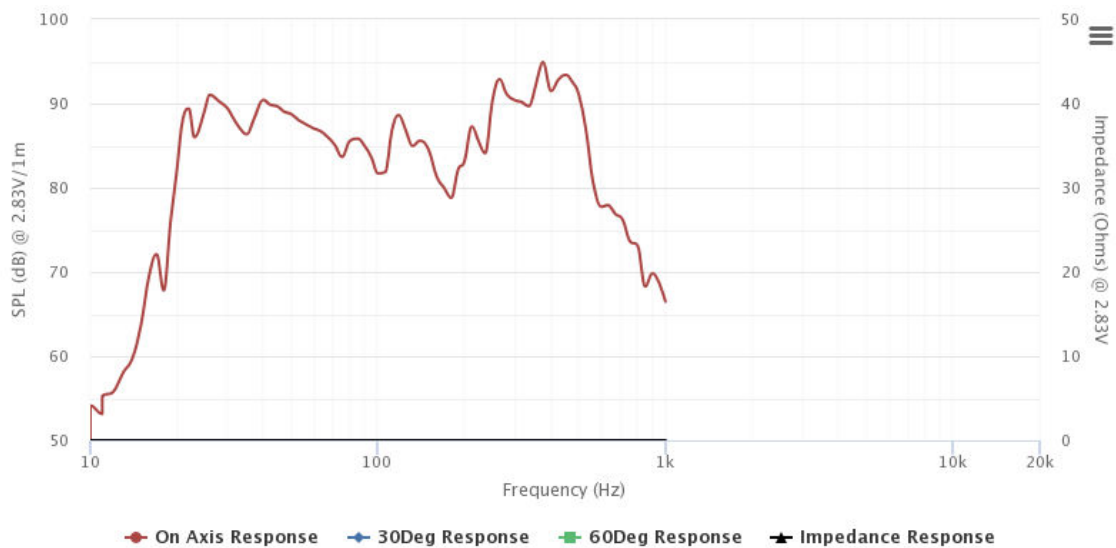
Mechanical Drawing



Specifications

DC Resistance	Revc	Ohms	0	5.0%	Energy Bandwidth Product	EBP	(1/Qes)*fs	
Minimum Impedance	Zmin	Ohms	0	7.5%	Moving Mass	Mms	g	38.5
Voice Coil Inductance	Le	mH	0		Suspension Compliance	Cms	um/N	791
Resonant Frequency	Fs	Hz	0	15%	Effective Cone diameter	D	cm	8
Mechanical Q Factor	Qms		0		Effective Piston Area	Sd	cm ²	50.2
Electrical Q Factor	Qes	0			Effective Volume	Vas	L	0
Total Q Factor	Qts	0			Motor Force Factor	BL	Tm	0
Ratio Fs/Qts	F	Fs/Qts			Motor Efficiency Factor	β	(T*M ²)/Ohms	
Half Space Sensitivity @2.83V	db@2.83V/1M	dB	27.04	+/- 1.0db	Voice coil former Material	VCfm		
Half Space Sensitivity @1W/1M	db@1W/1M	dB	0	+/- 1.0db	Voice coil inner diameter	VCd	mm	0
Gap Height	Gh	mm	0		Rated Noise Power	P	W	0
Maximum Linear Excursion	Xmax	mm	0		Test Spectrum Bandwidth			
Ferrofluid Type	FF				Driver Size	Inch	4 in	
Driver Mass	Kg	0.1						

Frequency and Impedance Response



Highcharts.com