

Model No.: SDS-135F25CP02-04
 Product Line: Tymphany

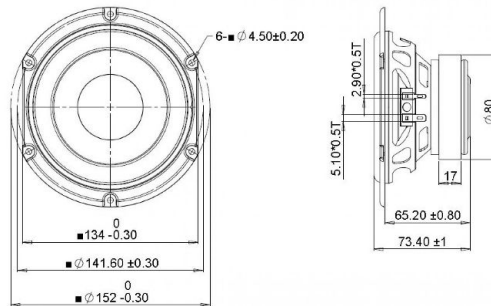
Rev: 1
 Last Update: 2017-04-25 21:32:09

Product Description

The SDS compact subwoofer family offers low resonant frequency performance, ideally suited for compact sealed enclosures. This 5.25 inch 4 ohm member of the SDS family offer a coated paper cone with rubber surround, a high power voice coil suspended in a ferrite magnet motor, and a narrow-profile steel basket shaped to fit into narrow cabinets.



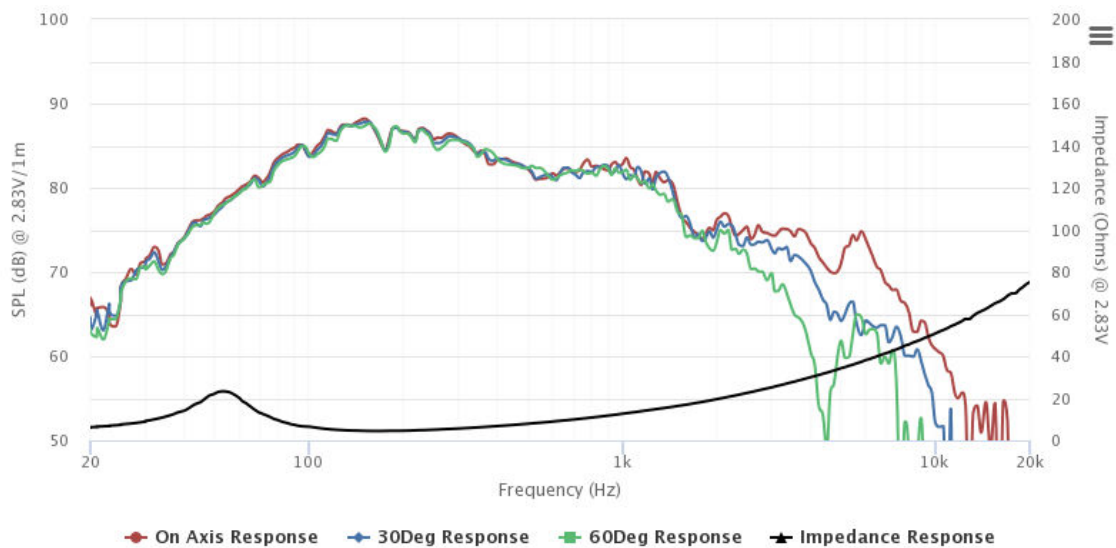
Mechanical Drawing



Specifications

DC Resistance	Revc	Ohms	3.3	5.0%	Energy Bandwidth Product	EBP	(1/Qes)*fs	
Minimum Impedance	Zmin	Ohms	4.45	7.5%	Moving Mass	Mms	g	20.6
Voice Coil Inductance	Le	mH	1.22		Suspension Compliance	Cms	um/N	369
Resonant Frequency	Fs	Hz	57.7	15%	Effective Cone diameter	D	cm	10.5
Mechanical Q Factor	Qms		3.89		Effective Piston Area	Sd	cm^2	86.6
Electrical Q Factor	Qes		0.45		Effective Volume	Vas	L	3.91
Total Q Factor	Qts		0.41		Motor Force Factor	BL	Tm	7.39
Ratio Fs/Qts	F	Fs/Qts	142.47		Motor Efficiency Factor	β	(T*M^2)/Ohms	16.5
Half Space Sensitivity @2.83V	db@2.83V/1M	dB	86.18	+/- 1.0db	Voice coil former Material	VCfm		ASV
Half Space Sensitivity @1W/1M	db@1W/1M	dB	83.6	+/- 1.0db	Voice coil inner diameter	VCd	mm	25.73
Gap Height	Gh	mm	6		Rated Noise Power	P	W	50
Maximum Linear Excursion	Xmax	mm	5.2		Test Spectrum Bandwidth		20Hz-10KHz	
Ferrofluid Type	FF				Driver Size	Inch	5.25 in	
Driver Mass	Kg		0.96					

Frequency and Impedance Response



Highcharts.com