

Model No.: PLS-P830984
 Product Line: Peerless

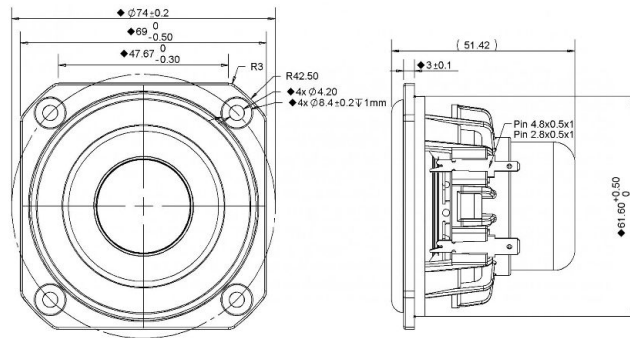
Rev: 1
 Last Update: 2017-04-25 21:32:09

Product Description

This 2.5 inch 8 ohm member of the PLS family sets a high standard for compact full range drivers intended for applications such as television soundbars and compact music systems. Design features in this family include a damped plastic basket with venting under the spider to aid cooling of the motor, a neodymium magnet motor with copper cap to lower coil inductance, providing low distortion at low frequencies and extended high frequency response. A black anodized aluminium cone is employed on the driver, along with a black anodized aluminium dust cap coupled directly to the voice coil. Additionally, the cones come equipped with special-designed large roll rubber surrounds, which allow for a dynamic linear response to high excursion input signals.



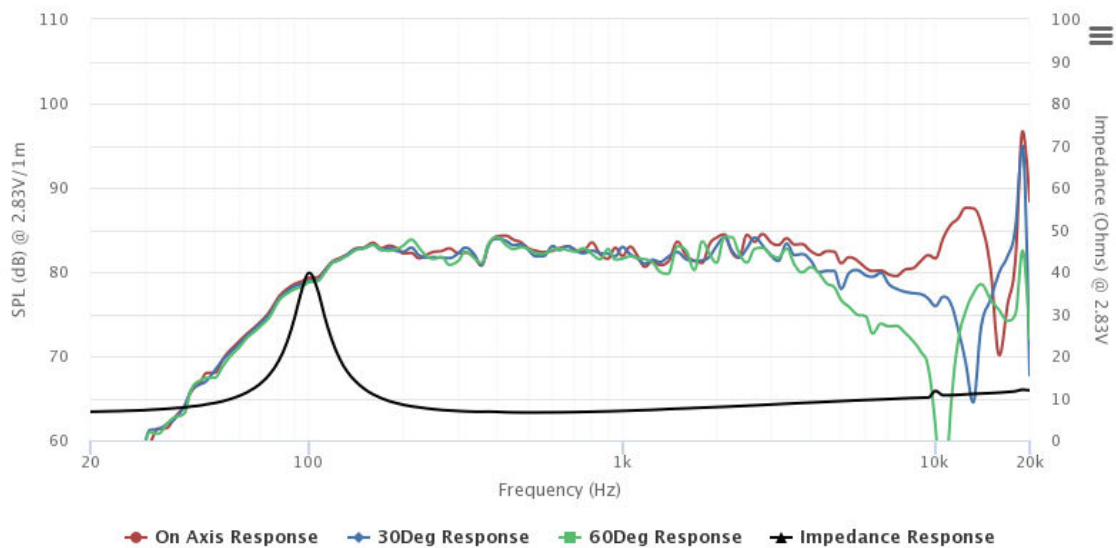
Mechanical Drawing



Specifications

DC Resistance	Revc	Ohms	6.25	5.0%	Energy Bandwidth Product	EBP	(1/Qes)*fs	
Minimum Impedance	Zmin	Ohms	6.62	7.5%	Moving Mass	Mms	g	2
Voice Coil Inductance	Le	mH	0.05		Suspension Compliance	Cms	um/N	1015.2
Resonant Frequency	Fs	Hz	110.79	15%	Effective Cone diameter	D	cm	5.32
Mechanical Q Factor	Qms		5.41		Effective Piston Area	Sd	cm ²	22.2
Electrical Q Factor	Qes	0.83			Effective Volume	Vas	L	0.71
Total Q Factor	Qts	0.72			Motor Force Factor	BL	Tm	3.27
Ratio Fs/Qts	F	Fs/Qts	154.51		Motor Efficiency Factor	β	(T*M ²)/Ohms	1.7
Half Space Sensitivity @2.83V	db@2.83V/1M	dB	83	+/- 1.0db	Voice coil former Material	VCfm		ASV
Half Space Sensitivity @1W/1M	db@1W/1M	dB	82.2	+/- 1.0db	Voice coil inner diameter	VCd	mm	25.73
Gap Height	Gh	mm	4		Rated Noise Power	P	W	25
Maximum Linear Excursion	Xmax	mm	2.1		Test Spectrum Bandwidth		100Hz - 10kHz	
Ferrofluid Type	FF				Driver Size	Inch	2.5 in	
Driver Mass	Kg	0.15						

Frequency and Impedance Response



Highcharts.com