



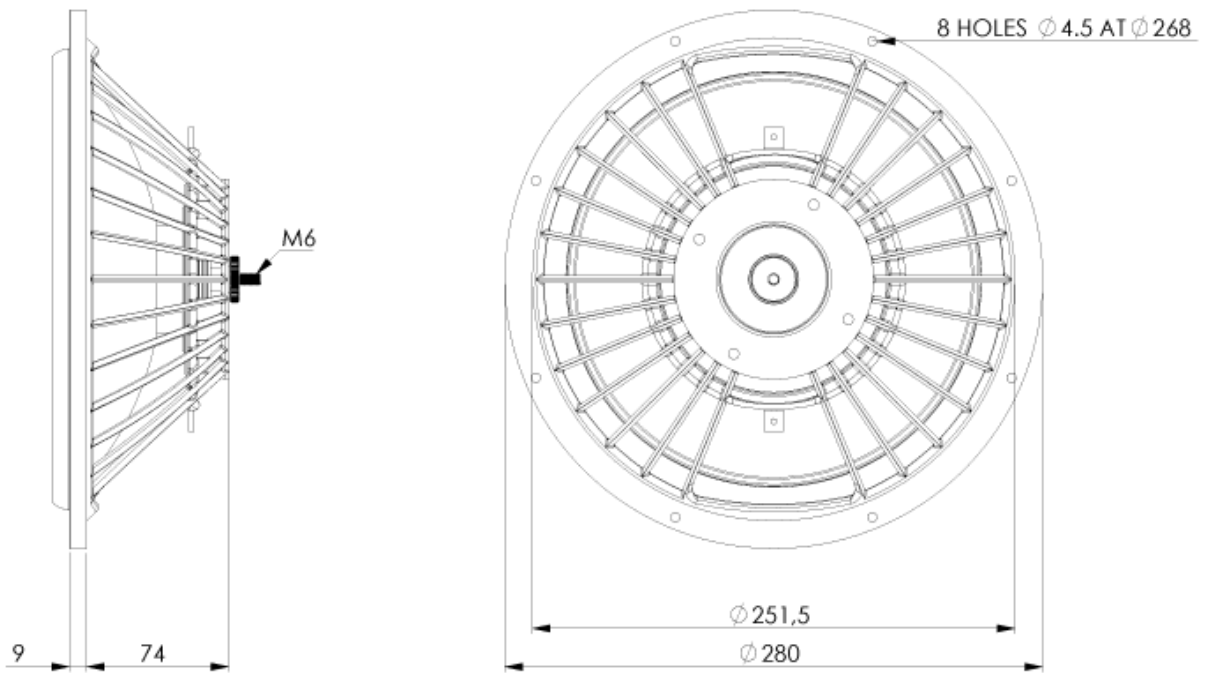
## P280 PASSIVE RADIATOR

The P280 is an 11 inch passive radiator with sandwich dome.

Extra mass can easily be added to tune the resonance frequency.

A simple but robust screw mount provides fixing of stainless steel discs in the desired quantity.

The values of  $V_{as}$  and  $C_{ms}$  allow for extensive tuning and various box sizes. A new basket design provides for perfect airflow without compression effects or turbulences. The stated resonance frequency of the passive radiator is taken at 3mm excursion, offering a realistic value.



Dome material	Sandwich
Application	Passive Radiator
Overall diameter	280 MM
Cutout Diameter/Square	251.2 MM
Overall depth	131.95 MM
Motor assembly depth	-
Motor assembly diameter	-

## MAIN FEATURES

Airflow optimised Basket Design  
 Robust Extra Mass Screw Mount  
 Soft Highshape Rubber Surround  
 Wideband Resonanztuning  
 15Hz - 45 Hz

## MECHANICAL DATA

Specification	Value	Unit
Overall diameter	280	mm
Cutout Diameter/Square	251.2	mm
Min. frontplate thickness	8.45	mm
Overall depth	131.95	mm
Motor assembly depth	-	mm
Motor assembly diameter	-	mm
Screwfitting	DIN 7984 / Ø 4.50	mm
Terminal	-	mm
Shipping weight (pair)	4.5/3.8	Kg
Shipping box size (pair)	300/180/300	mm

## THIELE/SMALL PARAMETERS

Specification		Value	Unit
Sensitivity (2.83V / 1m)	SPL	-	dB
DC-resistance	Re	-	Ohm
Resonance frequency	Fs	21	Hz
Equivalent volume of air	Vas	226	ltr
Mechanical Q	Qms	-	
Electrical Q	Qes	-	
Total Q	Qts	-	
Effective piston area	Sd	408	Cm <sup>2</sup>
Moving mass	Mms	63	g
Suspension compliance	CMs	0.94	mm/n
Mechanical resistance	Rms	1.87	Kg*s

## VOICE COIL PARAMETERS

<b>Specification</b>		<b>Value</b>	<b>Unit</b>
Power handling	P	-	W
Linear excursion	Xmax	+/-13	mm
Voice coil diameter		-	mm
Voice coil former material		-	
Voice coil material		-	
Voice coil inductance	Le	-	mH
Force factor	Bl	-	N/A
Motor type		-	
Ferrofluid filling		No	