

Model No.: OX20SC00-04  
 Product Line: Tymphany

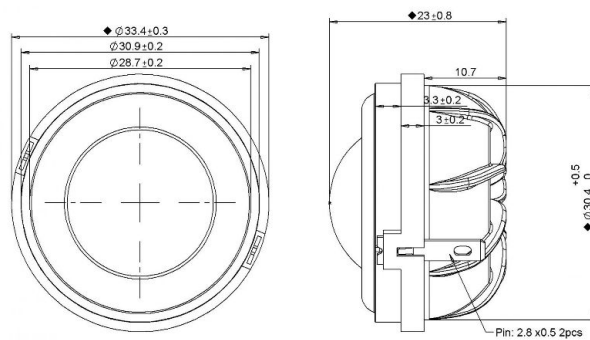
Rev: 2  
 Last Update: 2019-11-07 10:05:50

## Product Description

This OX family tweeter features a 19 mm diameter 4 ohm voice coil, a damped silk diaphragm with large surround roll, a neodymium magnet motor to produce a compact motor, and a metal rear chamber to provide both a lower resonant frequency and added heat sinking for power handling capacity. The product is designed to fit snugly into small applications, while providing excellent dynamic sound quality.



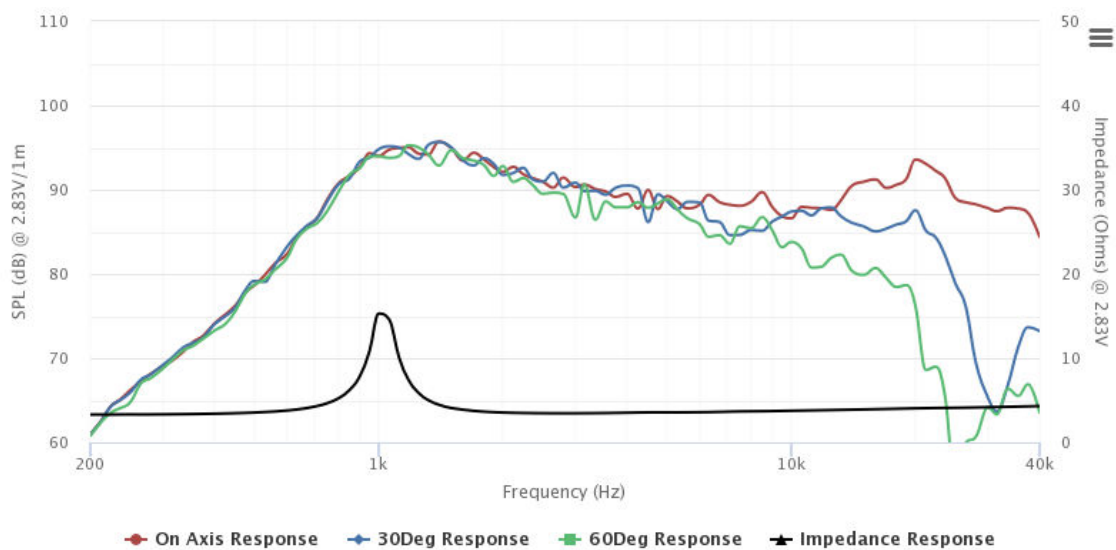
## Mechanical Drawing



## Specifications

DC Resistance	Revc	Ohms	3.28	5.0%	Energy Bandwidth Product	EBP	(1/Qes)*fs	
Minimum Impedance	Zmin	Ohms	3.46	7.5%	Moving Mass	Mms	g	0.2
Voice Coil Inductance	Le	mH	0.01		Suspension Compliance	Cms	um/N	117
Resonant Frequency	Fs	Hz	1024.9	15%	Effective Cone diameter	D	cm	2.5
Mechanical Q Factor	Qms		9.46		Effective Piston Area	Sd	cm <sup>2</sup>	4.9
Electrical Q Factor	Qes	1.83			Effective Volume	Vas	L	0
Total Q Factor	Qts	1.53			Motor Force Factor	BL	Tm	1.54
Ratio Fs/Qts	F	Fs/Qts	669.87		Motor Efficiency Factor	β	(T*M <sup>2</sup> )/Ohms	0.7
Half Space Sensitivity @2.83V	db@2.83V/1M	dB	90.71	+/- 1.0db	Voice coil former Material	VCfm		ASV
Half Space Sensitivity @1W/1M	db@1W/1M	dB	87.1	+/- 1.0db	Voice coil inner diameter	VCd	mm	19.32
Gap Height	Gh	mm	2		Rated Noise Power	P	W	80
Maximum Linear Excursion	Xmax	mm	0.1		Test Spectrum Bandwidth		2.5kHz - 20kHz	
Ferrofluid Type	FF				Driver Size	Inch		19 mm
Driver Mass	Kg	0.04						

## Frequency and Impedance Response



Highcharts.com