

HORN H250

Horn - 1" 90°(H) x 90°(V)

BIANCO AUDIENCE



- 1" Throat entry
- 90° x 90° nominal coverage
- Excellent loading down to 600 Hz
- Constant directivity

Dimensions & Weight

Horn material	ABS Plastic
Horn finish	Black
Overall dimensions	
Mouth height	250 mm (9.84 in)
Mouth width	250 mm (9.84 in)
Length	149 mm (5.86 in)
Net weight	0.6 kg (1.32 lb)
Gross weight	0.75 kg (1.65 lb)
Carton dimensions (W x D x H)	256 x 256 x 170 mm (10.07 x 10.07 x 6.69 in)

Specs :

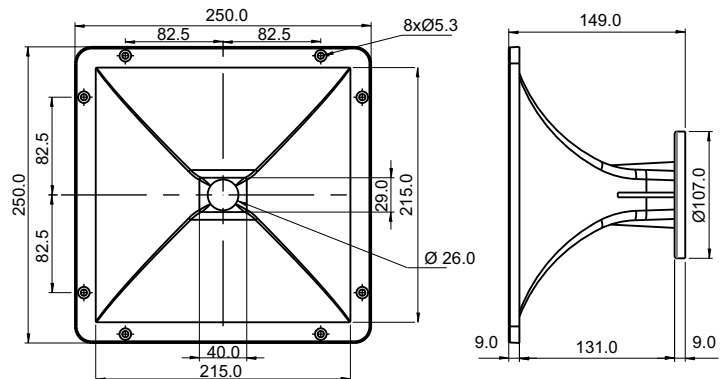
Nominal coverage	
Horizontal	90 degrees
Vertical	90 degrees
Directivity	
Directivity factor (Q)	6.3
Directivity index (Di)	8 dB
Sensitivity	
On driver.1W@1m, on axis ¹	106 dB
Frequency response @-10dB ²	600 Hz - 20 kHz
Throat diameter	25.4 mm (1 in)
Minimum recommended crossover ³	700 Hz

Mounting information

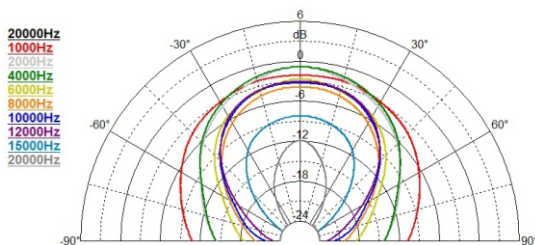
Mechanical connection of driver	Bolt on
Baffle cutout dimensions (front mount)	
Horizontal	215 mm (8.46 in)
Vertical	215 mm (8.46 in)

NOTES :

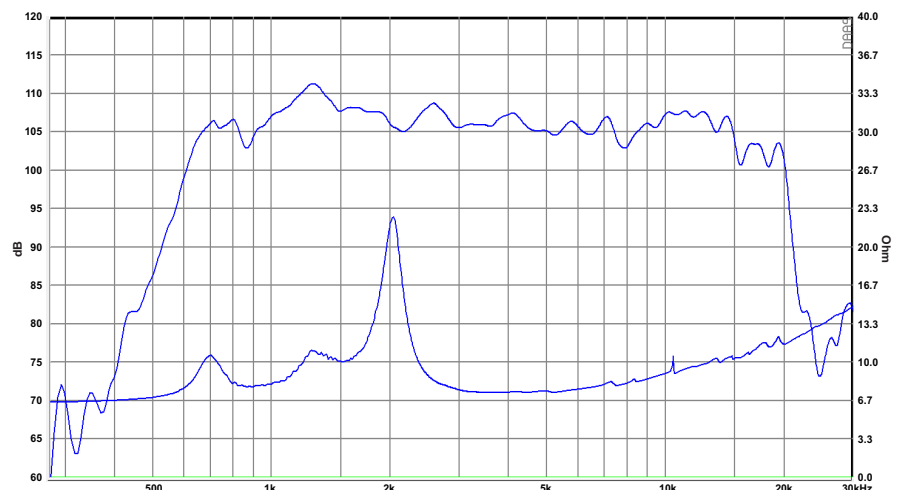
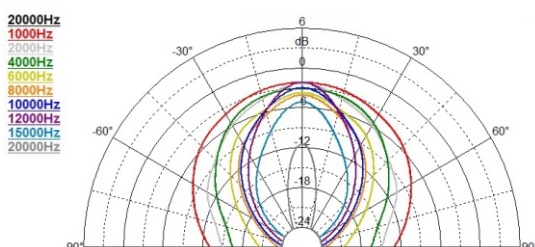
- (1) Measured with BIANCO-44CD-PK driver, 1kHz - 15kHz average
- (2) Measured with BIANCO-44CD-PK driver
- (3) With BIANCO-44CD-PK driver



HORIZONTAL POLAR PATTERN



VERTICAL POLAR PATTERN



RESPONSE AND IMPEDANCE CURVES WITH BIANCO-44CD-PK DRIVER, 1 W/1M