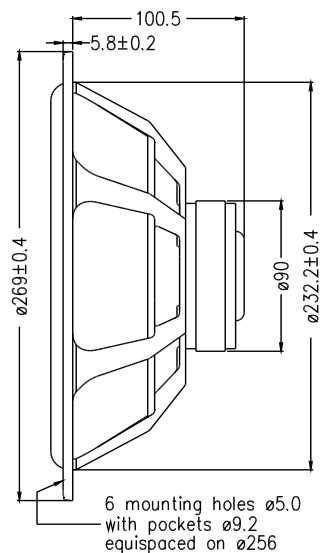
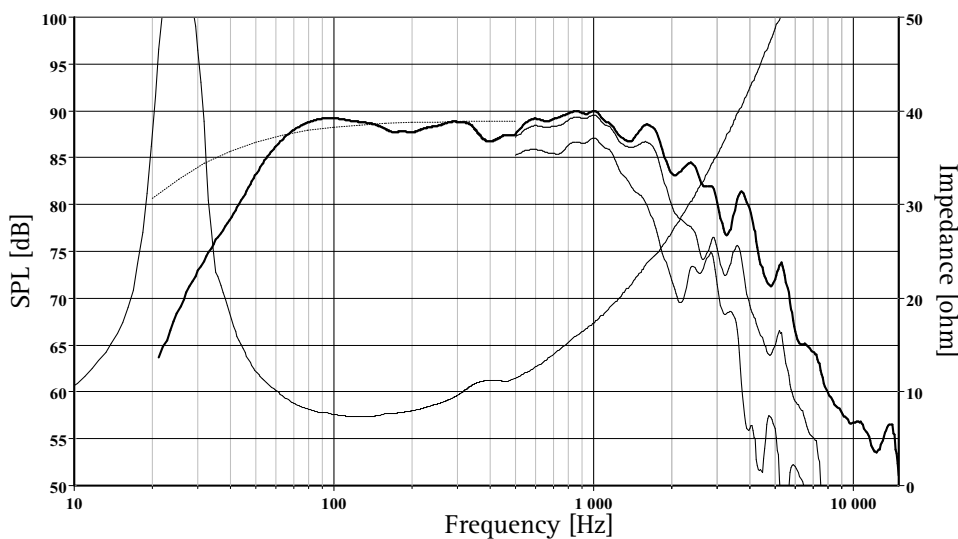


Classical paper cone and matching natural rubber surround produce a well behaved roll off characteristic and reduce potential resonance problems.

1.5" diameter high temperature voice coil with black anodized aluminium coil former gives high power handling and reduced power compression.

Four layer voice coil provides a well behaved roll off characteristic.

Extremely stiff and stable injection moulded metal basket keeps the critical components in perfect alignment. Large windows in the basket both above and below the spider reduce sound reflection, air flow noise and cavity resonance to a minimum.



The frequency responses above show measured free field sound pressure in 0, 30, and 60 degrees angle using a 28L closed box. Input 2.83 V_{RMS}, microphone distance 0.5m, normalized to SPL 1m. The dotted line is a calculated response in infinite baffle based on the parameters given for this specific driver. The impedance is measured in free air without baffle using a 2V sine signal.

Nominal Impedance	8 Ohms	Voice Coil Resistance	6.3 Ohms
Recommended Frequency Range	20 - 1500 Hz	Voice Coil Inductance	3.8 mH
Short Term Power Handling *	300 W	Force Factor	9.7 N/A
Long Term Power Handling *	80 W	Free Air Resonance	25 Hz
Characteristic Sensitivity (2,83V, 1m)	89 dB	Moving Mass	37.4 g
Voice Coil Diameter	39 mm	Air Load Mass In IEC Baffle	3.80 g
Voice Coil Height	14 mm	Suspension Compliance	1.1 mm/N
Air Gap Height	6 mm	Suspension Mechanical Resistance	1.69 Ns/m
Linear Coil Travel (p-p)	8 mm	Effective Piston Area	350 cm ²
Maximum Coil Travel (p-p)	35 mm	VAS	169 Litres
Magnetic Gap Flux Density	0.72 T	QMS	3.84
Magnet Weight	1.10 kg	QES	0.43
Total Weight	2.10 kg	QTS	0.39

Jul 2012

*IEC 268-5

SEAS reserves the right to change technical data