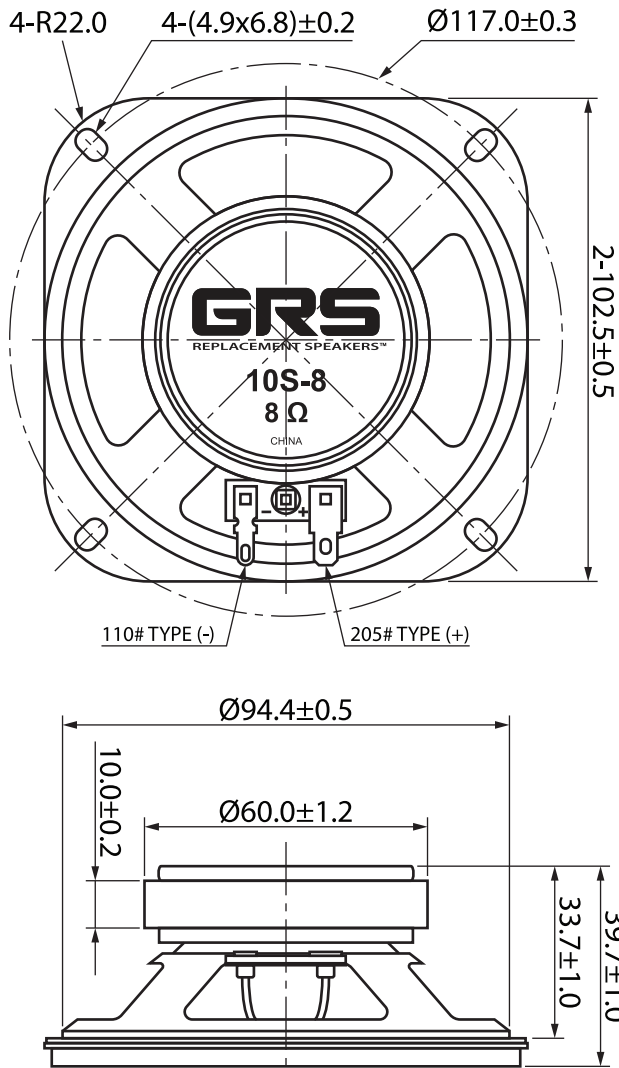




10S-8
4" FULL_RANGE
DRIVER
8 OHM

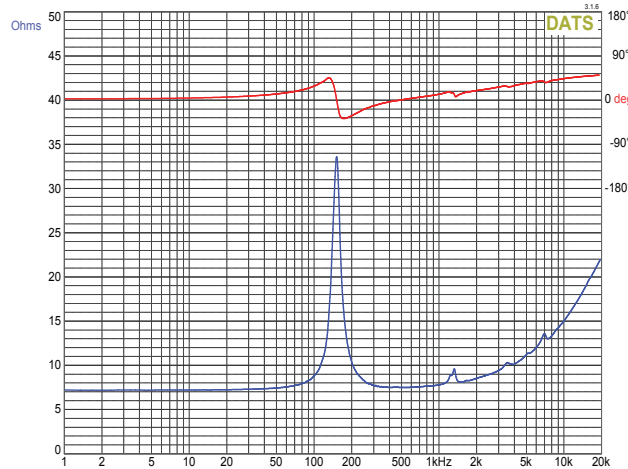
MECHANICAL DRAWING



FEATURES

- Full-range frequency response from 150 to 20,000 Hz
- Thin mount profile with a mounting depth under 1-1/2"
- High efficiency allows excellent output capability
- Quality GRS Construction
- Great Replacement Speaker

IMPEDANCE/PHASE



PARAMETERS

Impedance	8 ohms
Re	7.2 ohms
Le	0.21 mH @ 1kHz
Fs	151 Hz
Qms	7.68
Qes	2.10
Qts	1.65
Mms	2.4 g
Cms	0.46 mm/N
Sd	52.5 cm ²
Vd	8 cm ³
BL	2.8 Tm
Vas	1.79 Liters
Xmax	1.5 mm
VC Diameter	15 mm
SPL	87 dB @ 2.83V/1m
RMS Power Handling (AES 426B)	25 watts
Useable Frequency Range (Hz)	150 - 20,000 Hz

FREQUENCY RESPONSE

