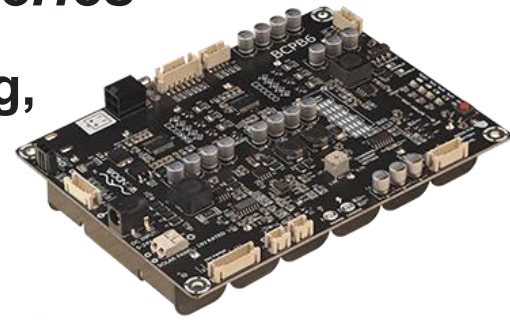


Battery Charging and Protection Series

6S 21700 Lithium-Ion Battery Charging, Protection and Balancing Board w MPPT – BCPB6(PS-BC12117)



Overview:

BCPB6 is a highly reliable Lithium-Ion Battery Charging, Protection, and Balancing Board that operates with wide input range, 5-24V. This board able to charge the batteries from input voltages above, below, or equal to the output voltages. It is designed for 6 in series 21700 Lithium-Ion Battery which provides approximately 88-100Wh energy. The MPPT charging integrated feature supports a 18.3-24V power supply. BCPB6 is complemented with a visualized display of battery level indicators. To ensure the reliability of this board, it is equipped with full protection circuit; overcurrent, over-temperature, short circuit, and over/under voltage protection. The battery balancing IC allows constant battery voltage between 6 in series 21700 Lithium-Ion cells. It is designed for industrial application with verified MTBF for low-temperature increment under rigorous design.

Distributors:



All BCPB Series are complied with RoHS and pre-tested with our power supply solution adheres to FCC and CE. FCC, CE, and RoHS certification will be provided per customer requests. The test reports for high and low temperature with 200 cycles of HASS Test will be provided once requested by customer through emails and this request is applicable for bulky purchases of MOV USD\$10,000 or MOQ 500pcs only.

Ready for:

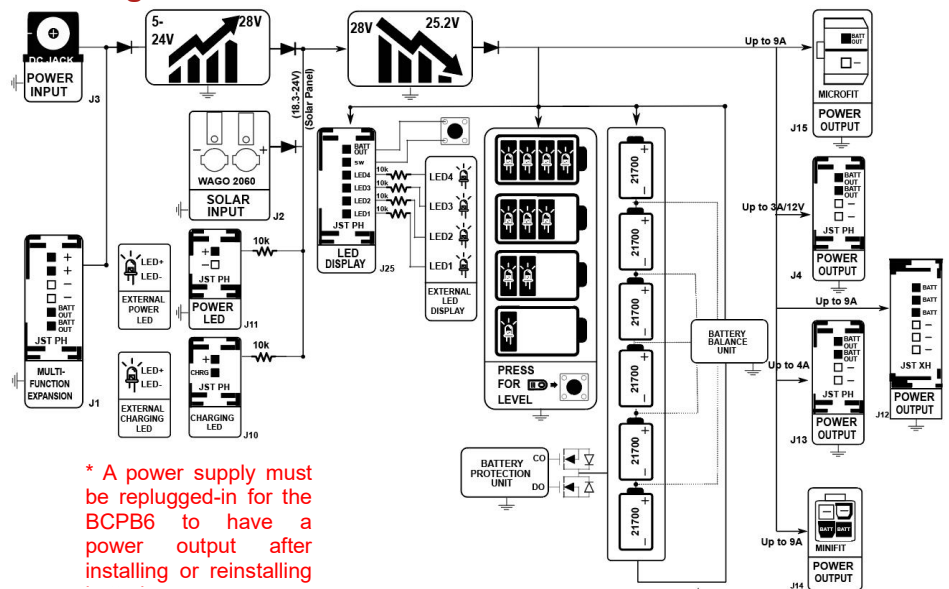


Contact Info

• Email:
info@wondom.com



Block Diagram



* A power supply must be replugged-in for the BCPB6 to have a power output after installing or reinstalling

Note: All the components in the block diagram are grounded except Charging LED for External Port (J10) and LED Display for External Port (J25). Lithium-Ion Cells are connected to battery protection and balance circuit and then grounded. All the Power Output, including the battery level indication module will be disconnected once the board goes into a protection mode. When the battery is fully charged, the voltage across the charging LED shunt resistor is approximately 28V and drops drastically to 0V when there is no power supplied to the board.

Applications:

- Industrial Applications
- DIY and IoT Purposes
- Power Bank for Router/ Drone/
- High Power Portable Speaker
- Time Lapse Camera

Key Features:

- Full Protection Circuit
- Charge and Discharge at the Same Time
- LED Indicators for Battery Level
- Solar Charging Supported
- Two Output Ports
- Battery Voltage Balancing
- LED Indicators for Battery Level
- Full Protection Circuit; Short Circuit, Over-temperature, Over/Under Voltage, Over-current, Over-charge and Over-discharge Protection

Notes:

1. Sure Electronics does not provide technical support for any behavior of connecting the board with power supply out of the recommended range. Any damage/problem arises due to this, will not be covered by the warranty.
2. Remove battery from the circuit board if it is not use for a long time.
3. For initial charging, it is normal for the board to take longer time to fully charge
4. If the board goes into a protection mode or the battery has been re-installed, please recharge the board with DC Input Jack to reactivate.
5. Please check the battery polarity before installation. This board can be used with Lithium-Ion battery ONLY. Other batteries, including LiFePO4 is prohibited.
6. Please note, this board is prohibited to be connected in parallel or in series.

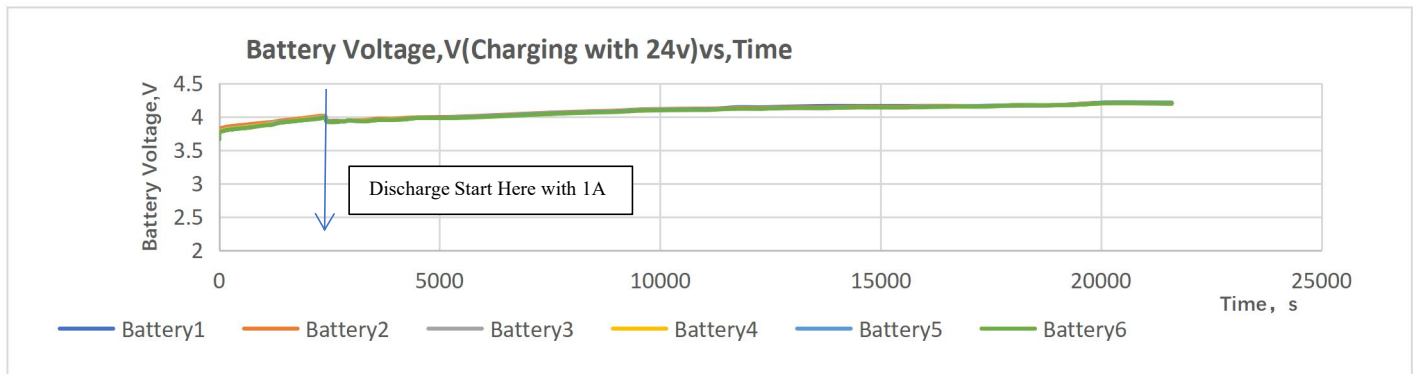
Electrical Specifications

Specifications typical @ +25°C unless otherwise noted. Specifications subject to change without notice.

| Parameters | Conditions | Min. | Typ. | Max. | Units |
|---|---|-----------------------------------|------|-----------|-------|
| Supply Voltage | Both wide input range, DC Jack (J3) . | 5.0 | - | 24.0 | VDC |
| | Solar panel input, Wago 2060 through a diode (J2). | 18.3 | 19.0 | 24.0 | VDC |
| Supply Current | Supply current at wide input range, DC Jack (J3) is limited by boost circuit only. | 0.90 | - | 2.30 | A |
| Output Current | JST-PH (J13). Peak current 8A for 200ms. | - | - | 4.0 | A |
| | Molex Micro-Fit (J15). Peak current 12A for 200ms. | - | - | 9 | A |
| | JST-XH (J12). Peak current 12A for 200ms. | - | - | 9 | A |
| | Molex Mini-Fit (J14).Peak current 12A for 200ms. | - | - | 9 | A |
| | JST-PH (J4), The Output Voltage is 12V. | - | - | 3.0 | A |
| Charge current | Pre-charge current (0-140mA) might take hours before going to constant current charge mode at 0.9A/24V typical. The charging current decreases dramatically after reaching constant voltage mode which start at 4.2V. The maximum charge current can only be obtained if I_{in} : 2.3A, V_{in} : 19V are supplied to the board. Charge current decreases if lower input current and voltage applied to the board. | 0.9 – 15% | 0.9 | 0.9 + 15% | A |
| Battery Capacity | Use 4000mAh to get the typical value. Refer battery's user manual if you are using your own Lithium-Ion battery. | 4000mAh 21700 Lithium-Ion Battery | | | |
| Overcharge Detection Voltage (per cell) | Once overcharge protection is triggered at 4.24V, users are supposed to wait until the voltage drops to 'over voltage release voltage', 4.18V and activate again for normal use. | 4.19 | 4.24 | 4.29 | V |
| Overcharge Release Voltage (per cell) | | 4.00 | 4.05 | 4.10 | V |
| Over-Discharge Detection Voltage (per cell) | A power supply must be plugged-in for the BCPB6 to have power output after installing or reinstalling batteries. Once the board goes into the protection mode, the same activation process should be executed to re-activate the board. | 2.72 | 2.80 | 2.88 | V |
| Over-Discharge Release Voltage | | 2.90 | 3.00 | 3.10 | V |
| Operating Temperature | For wide operation range version, please contact us for solutions. | 0 | 20 | 50 | °C |

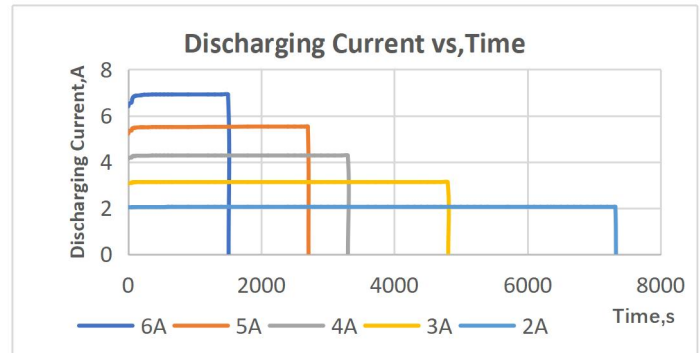
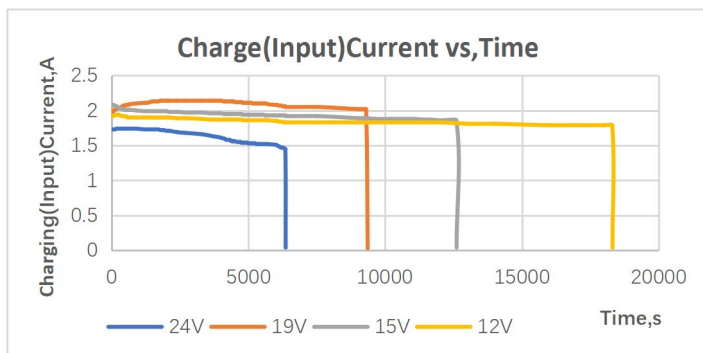
Note: All parameters were tested with the Gwinstek GDM-8341 multimeter. All charge and discharge curves are from Hioki LR8500 Data Loggers. For authorized distributors and OEM customers who need more detailed performance graphs and parameter settings, please send an inquiry e-mail to us. Raw test data and graphs from data analysis software will also be provided (Not available for retail customers).

Output Voltage Curve



Note: The battery balancing circuit in this board allows the charge and discharge voltage across 6S 21700 Lithium-Ion Battery to be almost the same. Balancing is activated at the end of each charging cycle. OEM customers can require our raw test data of up to 200 charge/discharge test cycles to evaluate the battery performance and the balancing performance. Test curves are based on batteries used up for less than 200 charge/discharge cycles. Batteries used for more than 200 charge/discharge cycles will not absolutely be balanced during charging and discharging. Plus, the battery capacity might be less than the initial cycle.

Charge and Discharge



Note: A higher current takes lesser time to fully charge and discharge. 5V input voltage takes the longest time for the battery to be fully charged compared to other input voltage.

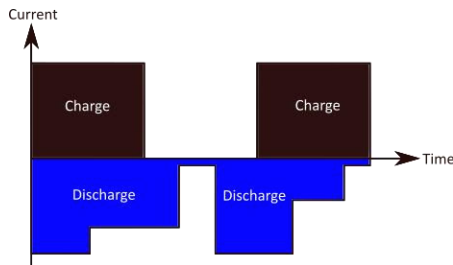
Self Discharge Rate

The self-discharge rate can be observed through the battery discharging rate. The battery discharge rate is independent of the circuit board discharging rate. Take reference from the battery datasheet for battery charging rate's details.

| SELF DISCHARGE RATE | |
|--|--|
| Battery | 5% -10% / MONTH |
| Battery Protection Circuit Standby Current Consumption | Typical 16 μ A, Maximum 25 μ A |

DC-Uninterrupted Power Supply (UPS) Features

BCPB6 is designed as DC-Uninterrupted Power Supply (UPS). This unique feature allows this board to be charged and discharged at the same time, without interrupting.



Cable Selections

Use 24 AWG or 0.25 mm² only for JST PH connectors. The cable's temperature might be a little bit high. Take reference from the table below to see the maximum current JST PH connector can withstand at different temperatures. It is suggested to use 18 AWG or 0.75mm² for Molex Micro-Fit when connecting the board to the output and solar input respectively. See Current Derating Reference Information Table for 20 AWG or 0.5mm² cable. 5.5/2.1mm or compatible plug is suggested for wide range DC Jack input. For industrial customers, we provide customized wire harnesses and 3D/2D wire diagrams for your reference.

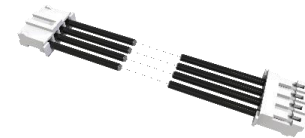
| AWG | Conductor Cross Section (mm ²) | Suggested Metric (mm ²) | Number of 4-Pair Cables in Bundle | | | | | | |
|-----------------------------------|--|-------------------------------------|-----------------------------------|----|----|-----|-----|-----|---|
| | | | 1 | | | 2-7 | | | |
| | | | Temperature Rating (°C) | | | | | | |
| | | | 60 | 75 | 90 | 60 | 75 | 90 | |
| Maximum Current (A) per Conductor | | | | | | | | | |
| 26 | 0.129 | 0.14 | 1 | 1 | 1 | 1 | 1 | 1 | 1 |
| 24 | 0.205 | 0.25 | 2 | 2 | 2 | 1 | 1.4 | 1.6 | |
| 22 | 0.326 | 0.34 | 3 | 3 | 3 | 1.4 | 1.8 | 2.1 | |

| Current Derating Reference Information for Molex Micro-Fit | | | | |
|--|-------------------------------------|--------|--------------|---------------|
| AWG | Suggested Metric (mm ²) | Metric | 2-CKT | |
| | | | Wire to Wire | Wire to Board |
| 18 | 0.75 | | 7 | 8.5 |
| 20 | 0.5 | | 6.5 | 7 |

| Current Rating Wire to Wire and Wire to Board for Molex Mini-Fit Connector | | | | |
|--|-------------------------------------|--------|----------|----------|
| AWG | Suggested Metric (mm ²) | Metric | 2-3 -CKT | |
| | | | 2-3 -CKT | 4-6 -CKT |
| 18 | 0.75 | | 9 | 8 |
| 20 | 0.5 | | 7 | 6 |

Standard Accessories

A dual header of PH 4-PIN cable and Micro-Fit 2-PIN cable will be provided as standard accessories. You can cut the PH 4-PIN cable into half as shown in the picture below to get 2 PH cables. LED battery display kit and L-bracket are optional accessories for BCPB6. You can use your own cable for other connectors or get the unprovided cable and optional accessories at our webstore.



a) JST-PH-4PIN



b) Micro-Fit-2PIN

Bulk Order Information

For bulk purchases of more than 500 pieces, customers can email to request for special quotation at info@sure-electronics.com or info@wondom.com. 4K Resolutions Videos, Thermal Images, and STP Files are provided upon requests (Applicable only for system integrator with bulk purchase). STL Files, DWG Files, Product Videos, High Resolutions Product Pictures are open for download to retail customers. Our product is in compliance with the REACH and RoHS certificates. We can also provide CE and FCC certificates for the customized bulk purchase. Other necessary files (not included in the BCPB6 product module) shall be provided upon request from the system integrator, and bulk purchasers.

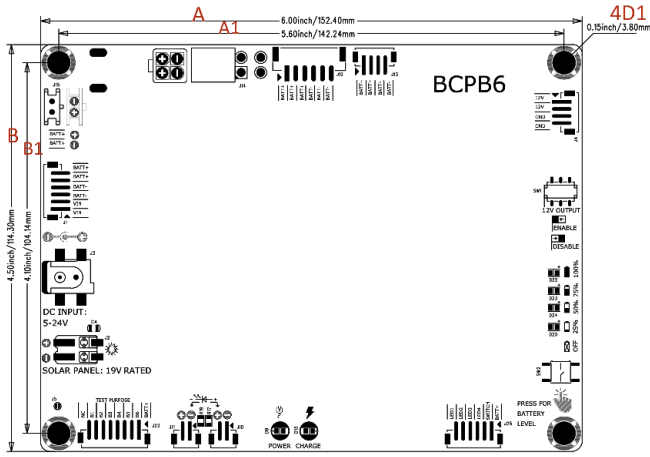
Note:

All the *item(s) will be provided upon requests through email. Other items can be freely accessed and downloaded through our webstore or YouTube.

| Item Provided | Bulk Purchases | Retail Purchases |
|-----------------------------------|----------------|------------------|
| STL Files | ✓ | ✓ |
| STP Files* | ✓ | ✗ |
| DWG Files | ✓ | ✓ |
| 4K Resolutions Videos* | ✓ | ✗ |
| Product Videos (YouTube) | ✓ | ✓ |
| High Resolutions Product Pictures | ✓ | ✓ |
| Thermal Images* | ✓ | ✗ |

Note: Current de-rating's values are provided as guidelines, applicable for not exceeding 30°C temperatures rise ONLY.

Dimensions



| Dimensions | A (inch/mm) | A1 (inch/mm) | D1 (inch/mm) |
|------------|----------------|-----------------|-----------------|
| | | 6.00/152.40 | 5.60/142.24 |
| Dimensions | B (inch/mm) | B1 (inch/mm) | |
| | | 4.50/114.30 | 4.10/104.14 |

Notes:

- All dimensions are typical in inches/mm
- Tolerance x.xx = $\pm 0.004''$ (± 0.1 mm)
- Battery holder's height: 0.85''/21.5 mm
- Board's thickness: 0.10''/2.5 mm
- Maximum height of component's side: 0.43''/11.0 mm
- Total height: 1.38''/35.0 mm
- The board is symmetrical, denoted by the center line

Port Definitions

Input Options:

- J3 DC Wide Input Range 5-24V, 5.5/2.1mm DC Jack
- J2 DC 18.3-24V Solar Panel Input, Wago 2060

| Circuit | Definition |
|---------|------------|
| + | VIN |
| - | GND |

Output Options:

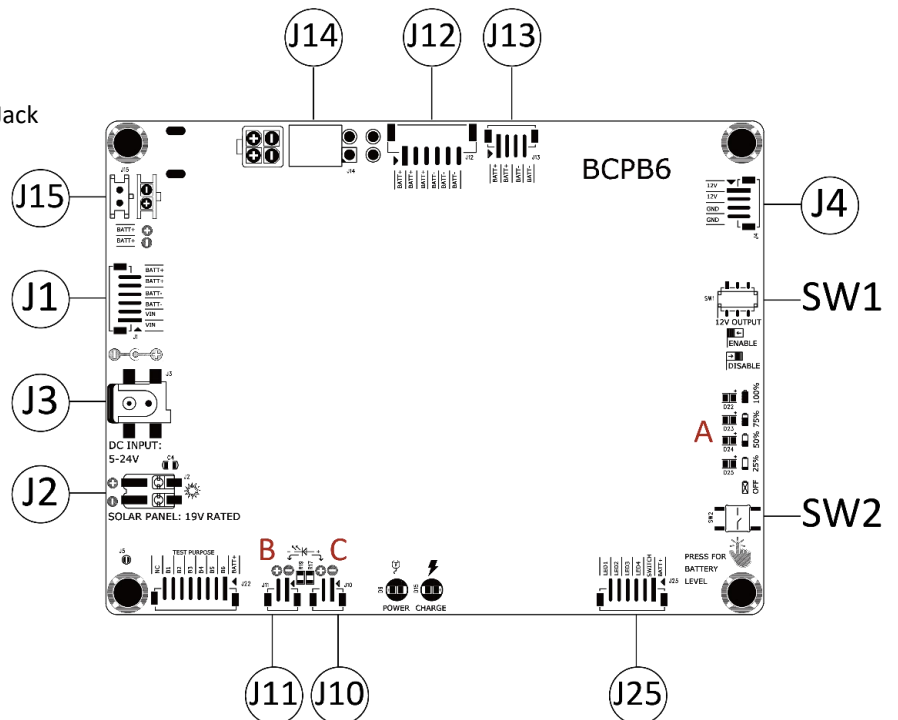
- J12 DC 16.8V-25.2V JST XH-2.5mm 6-CKT

| Circuit | Definition |
|---------|------------|
| 1 | BATT |
| 2 | BATT |
| 3 | BATT |
| 4 | GND |
| 5 | GND |
| 6 | GND |

- J13 DC 16.8V-25.2V JST PH-2mm 4-CKT

| Circuit | Definition |
|---------|------------|
| 1 | BATT |
| 2 | BATT |
| 3 | GND |
| 4 | GND |

- J14 DC 16.8V-25.2V ,Molex Mini-Fit
- J15 DC 16.8V-25.2V ,Molex Micro-Fit



- J4 DC Output 12V JST PH-2mm 4-CKT
SW1 set to "ENABLE", 12V output is enabled; SW1 set to "DISABLE", 12V output is disabled.

| Circuit | Definition |
|---------|------------|
| 1 | 12V |
| 2 | 12V |
| 3 | GND |
| 4 | GND |

LED Indicator for External Power Port:

- J11 PH-2mm-2CKT

| Circuit | Definition |
|---------|------------|
| 1 | LED+ |
| 2 | LED- |

LED Indicator for External Charging Port:

- J10 PH-2mm-2CKT

| Circuit | Definition |
|---------|------------|
| 1 | LED+ |
| 2 | LED- |

LED Indicators (Position A) for Battery Level Status:

- Four LED indicators for battery level status, J25 LED Indicator for External Battery Level Port. Short press tact switch, SW2 to check battery level.

LED Indicators (Position B) for Charge:

| Mode | Status |
|---------------|--------|
| Charging | ○ |
| Fully Charged | ✕ |

○: ON ✕: OFF

LED Indicators (Position C) for Power status:

| Mode | Status |
|----------|--------|
| Power | ○ |
| No Power | ✕ |

○: ON ✕: OFF

Sure Electronics
Have Fun With Us!

WONDOM
WONDOM Audio Technology

store.sure-electronics.com

www.wondom.com

Mail: store@sure-electronics.com

Skype: surewebstore

58-7-02, Wisma Fortune Heights,

Jalan Cantonment,

10350 Georgetown,

Penang, Malaysia

Tel: 04 -218 9323