



C173-6-096 CERAMIC BASS-MIDRANGE

VENTED BOX DESIGN PARAMETERS

Vb: 8L, Fres: 25Hz with passive radiator, -18dB @ 25Hz, Q: 0.38 (optimal A/V alignment)

Vb: 4.1L, Port diameter: 50mm, Length: 170mm, Fres: 82Hz, F-3dB: 85Hz, Q: 0.50 (typical A/V alignment)

Vb: 11L, Port diameter: 50mm, Length: 150mm, Fres: 53Hz, F-3dB: 55Hz, Q: 0.34 (extended bass)

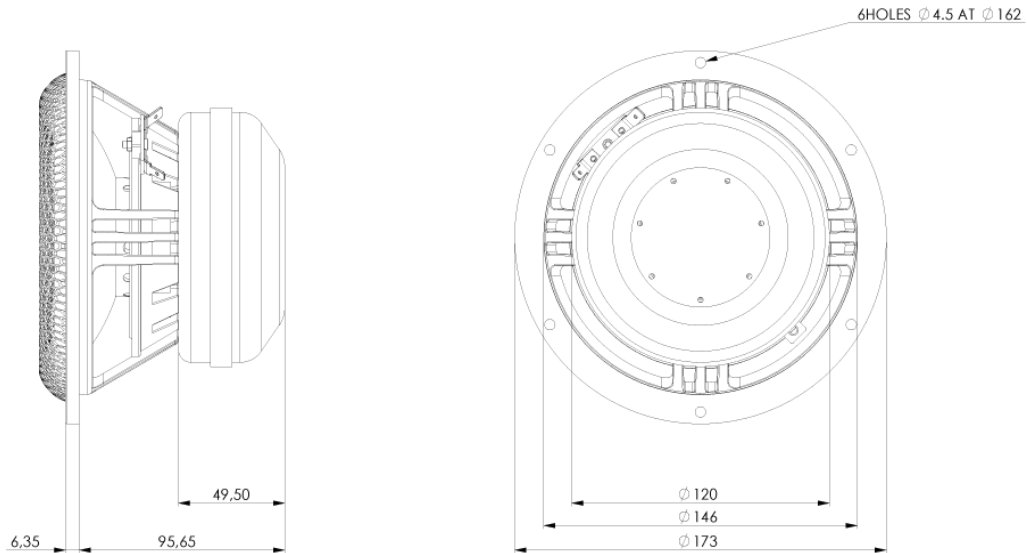
CLOSED BOX DESIGN PARAMETERS

Vb: 4.1L, -18dB @ 40Hz, F-3dB: 175Hz, Q: 0.50 (clean transient response)

Vb: 11L, -15dB @ 40Hz, F-3dB: 170Hz, Q: 0.38 (extended bass for active systems)

HIGHLIGHTS

7 inch bass-midrange with high efficiency for 3 way designs.
 Large sized voice coil with 55mm titanium voice coil former for high midrange resolution.
 Big, underhung 120mm Neodymium magnet system for very low distortion.



Dome material	Ceramic
Application	Bass-Midrange
Overall diameter	173 MM
Cutout Diameter/Square	146 MM
Overall depth	102 MM
Motor assembly depth	49.5 mm
Motor assembly diameter	120 mm

MAIN FEATURES

underhung motor design
 55 mm Titanium VC Former
 Soft Rubber Surround
 Vented VC, Pole Piece & Spider
 40 HZ - 3 KHZ in vented Box

MECHANICAL DATA

Specification	Value	Unit
Overall diameter	173	mm
Cutout Diameter/Square	146	mm
Min. frontplate thickness	6.35	mm
Overall depth	102	mm
Motor assembly depth	49.5	mm
Motor assembly diameter	120	mm
Screwfitting	DIN 7984 / Ø 4.50	mm
Terminal	+: 6.3 x 0.8 / -: 4.8 x 0.8	mm
Shipping weight (pair)	8.5	Kg
Shipping box size (pair)	210/280/210	mm

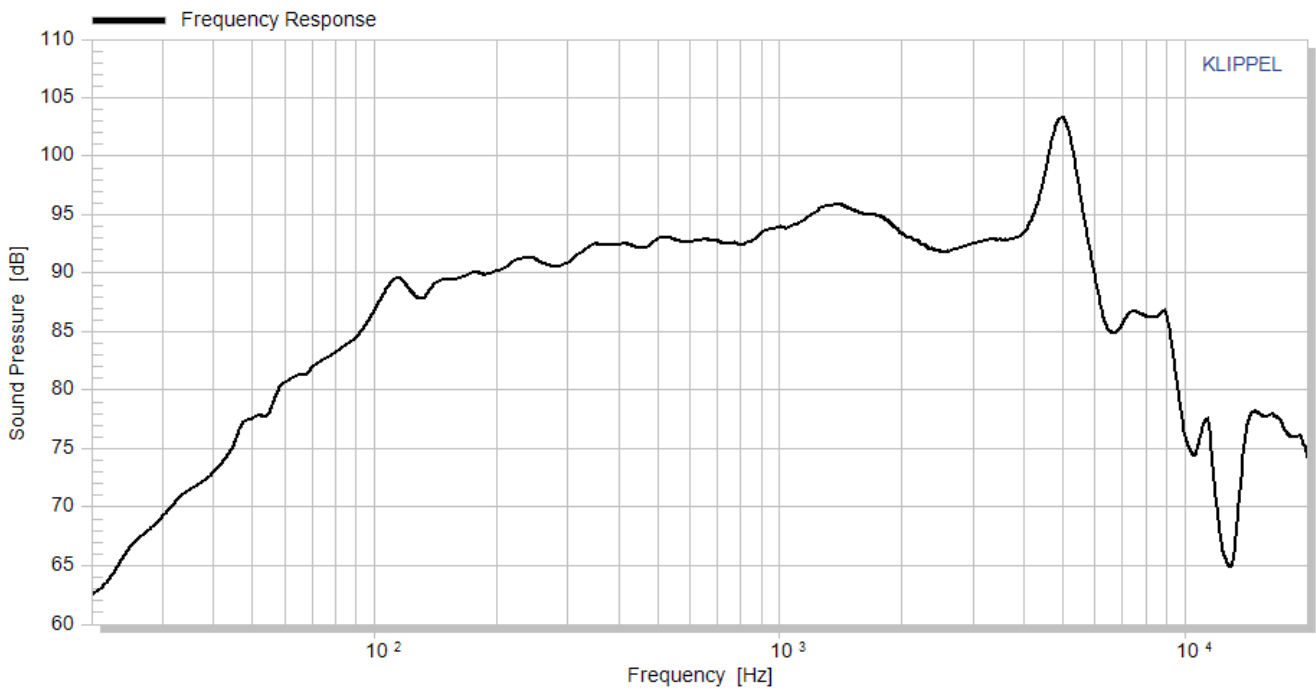
THIELE/SMALL PARAMETERS

Specification		Value	Unit
Sensitivity (2.83V / 1m)	Lp	93	dB
DC-resistance	Re	6.77	Ohm
Resonance frequency	Fs	50	Hz
Equivalent volume of air	Vas	16.99	ltr
Mechanical Q	Qms	4.68	
Electrical Q	Qes	0.24	
Total Q	Qts	0.22	
Effective piston area	Sd	130	Cm ²
Moving mass	Mms	14.4	g
Suspension compliance	CMs	0.7	mm/n
Mechanical resistance	Rms	0.96	Kg*s

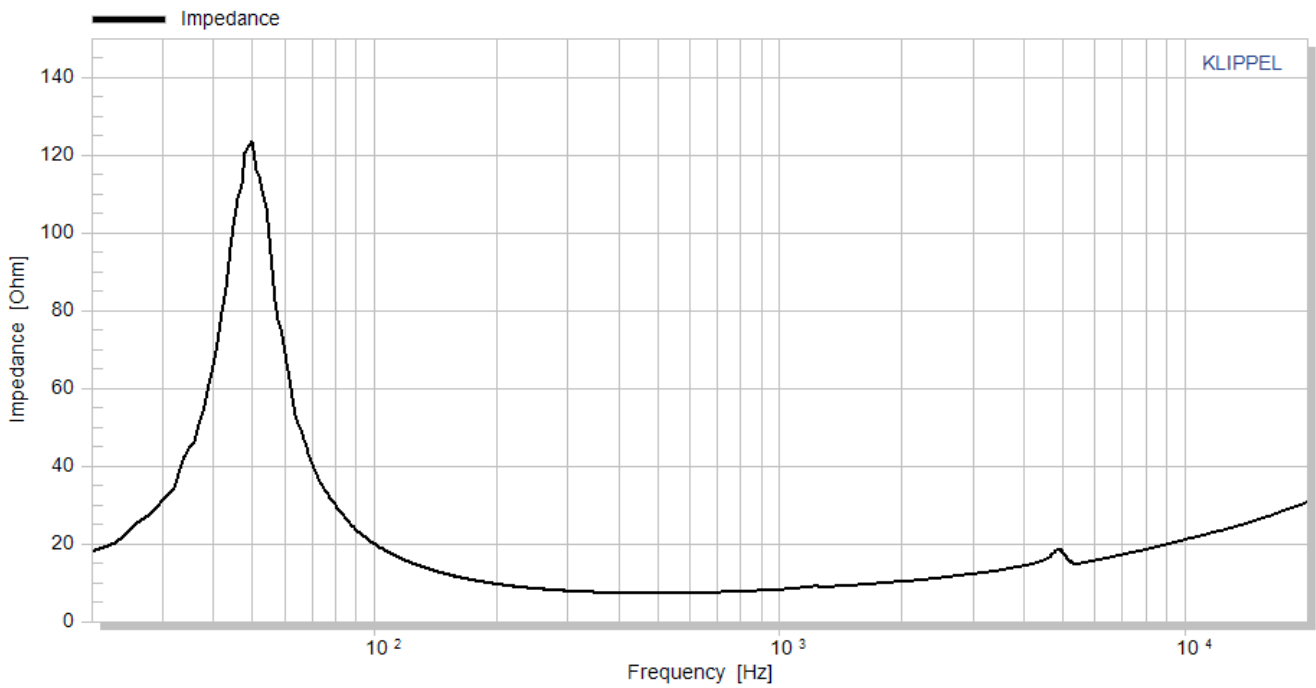
VOICE COIL PARAMETERS

Specification		Value	Unit
Power handling	P	120	W
Linear excursion	Xmax	+/-5	mm
Voice coil diameter		55	mm
Voice coil former material		Ti	
Voice coil material		Cu	
Voice coil inductance	Le	0.32	mH
Force factor	Bl	11.4	N/A
Motor type		underhung	
Ferrofluid filling		No	

FREQUENCY RESPONSE [DB]



IMPEDANCE [OHM]



HARMONIC DISTORTION [%]

