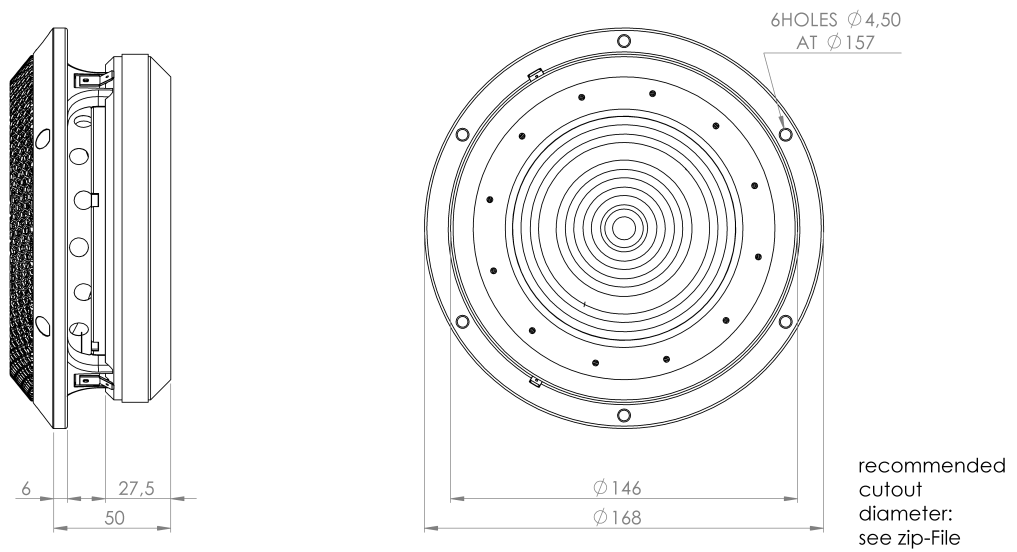




C168-6-990 CELL CERAMIC MIDRANGE



Dome material	Ceramic
Application	Midrange
Overall diameter	168 MM
Cutout Diameter/Square	147 MM
Overall depth	49.5 MM
Motor assembly depth	27.50
Motor assembly diameter	146--

MAIN FEATURES

full featured cell concept
 ideal acoustical center
 no reflections at the backside
 Underhung motor design
 200 HZ - 6000 HZ

MECHANICAL DATA

Specification	Value	Unit
Overall diameter	168	mm
Cutout Diameter/Square	147	mm
Min. frontplate thickness	6	mm
Overall depth	49.5	mm
Motor assembly depth	27.50	mm
Motor assembly diameter	146	mm
Screwfitting	DIN 7984 / Ø 4.50	mm
Terminal	+: 6.3 x 0.8 / -: 4.8 x 0.8	mm
Shipping weight (pair)	3.76	Kg
Shipping box size (pair)	210/140/210	mm

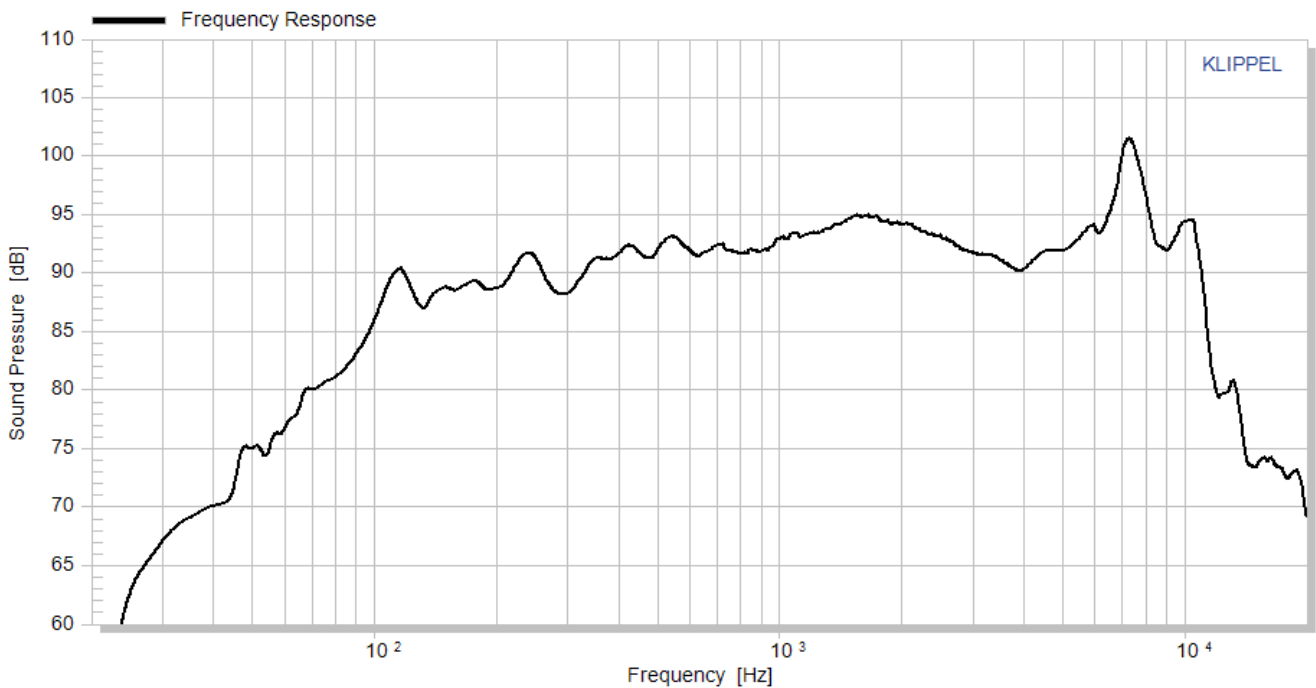
THIELE/SMALL PARAMETERS

Specification		Value	Unit
Sensitivity (2.83V / 1m)	Spl	93	dB
DC-resistance	Re	5.4	Ohm
Resonance frequency	Fs	55	Hz
Equivalent volume of air	Vas	10.3	ltr
Mechanical Q	Qms	4.76	
Electrical Q	Qes	0.22	
Total Q	Qts	0.21	
Effective piston area	Sd	118	Cm2
Moving mass	Mms	16.1	g
Suspension compliance	CMs	0.52	mm/n
Mechanical resistance	Rms	1.17	Kg*s

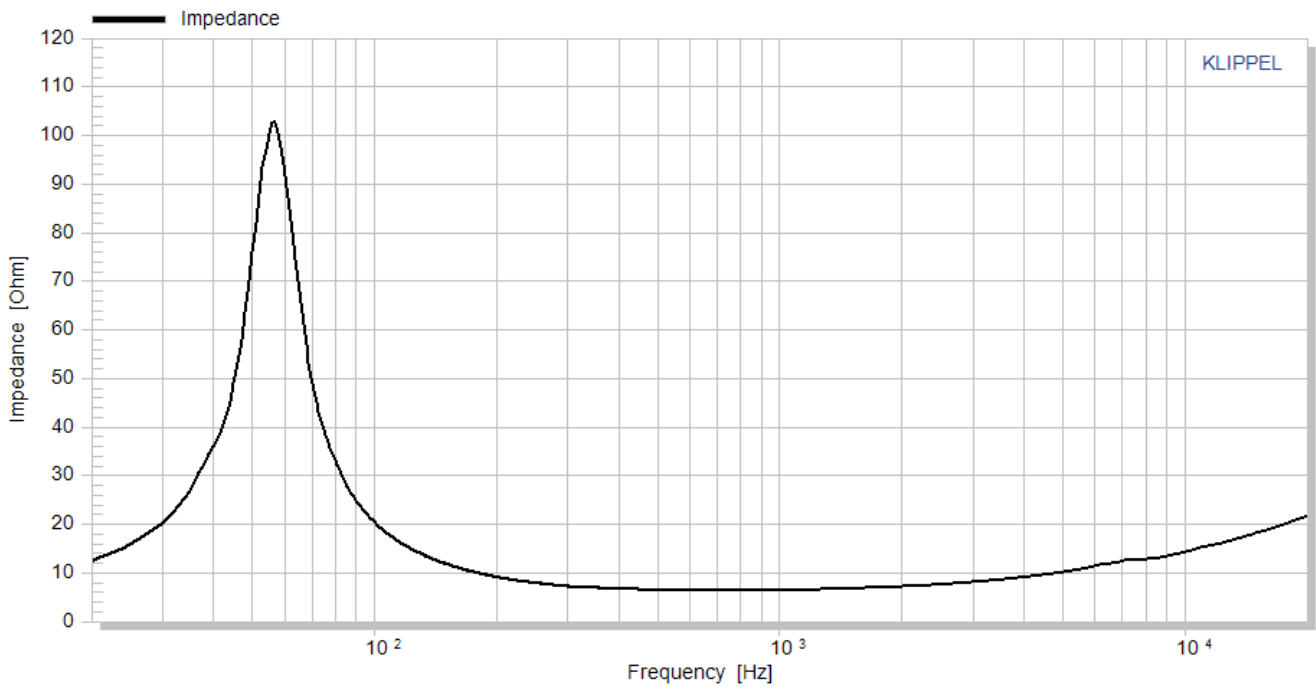
VOICE COIL PARAMETERS

Specification		Value	Unit
Power handling	P	120	W
Linear excursion	Xmax	+/-3.0	mm
Voice coil diameter		--	mm
Voice coil former material		Ti	
Voice coil material		Cu	
Voice coil inductance	Le	0.06	mH
Force factor	Bl	11.66	N/A
Motor type		Underhung	
Ferrofluid filling		No	

FREQUENCY RESPONSE [DB]



IMPEDANCE [OHM]



HARMONIC DISTORTION [%]

