

Model No.: BC25SC08-04
 Product Line: Tymphany

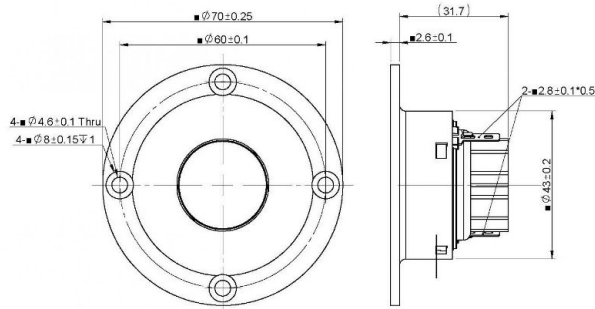
Rev: 1
 Last Update: 2017-04-25 21:32:09

Product Description

This BC family tweeter features a 4 ohm 25 mm voice coil, a damped fabric dome for smooth frequency response performance, and ferrofluid in the gap of the NdFeB motor, providing enhanced cooling of the voice coil. The tweeter comes with a compact faceplate with recessed mounting holes. A finned heat sink has been added for improved power handling.



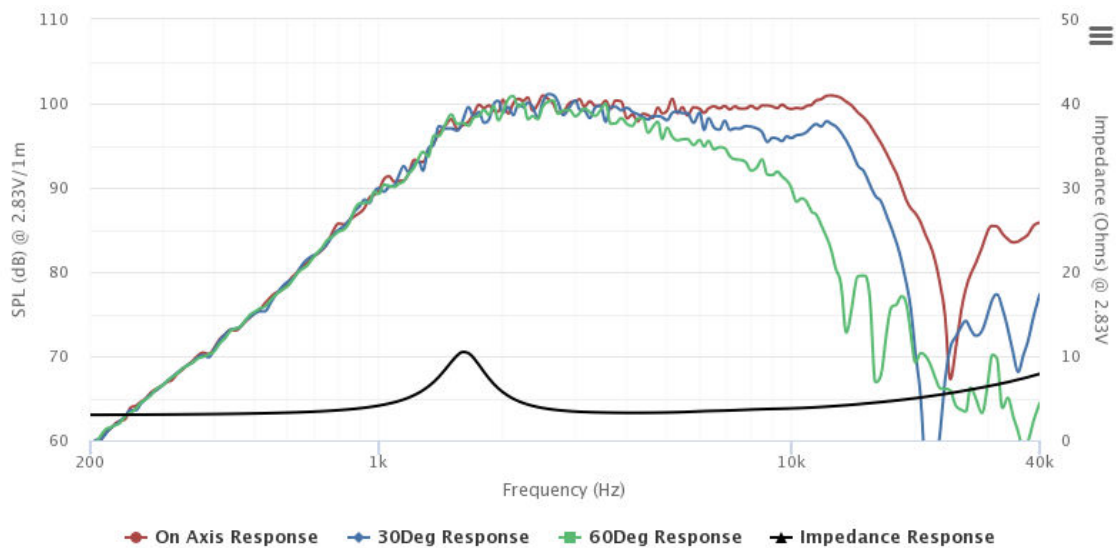
Mechanical Drawing



Specifications

| | | | | | | | | |
|-------------------------------|-------------|--------|---------|-----------|----------------------------|---------|--------------------------|------|
| DC Resistance | Revc | Ohms | 2.79 | 5.0% | Energy Bandwidth Product | EBP | (1/Qes)*fs | |
| Minimum Impedance | Zmin | Ohms | 3.27 | 7.5% | Moving Mass | Mms | g | 0.2 |
| Voice Coil Inductance | Le | mH | 0.02 | | Suspension Compliance | Cms | um/N | 44.3 |
| Resonant Frequency | Fs | Hz | 1663.19 | 15% | Effective Cone diameter | D | cm | 2.55 |
| Mechanical Q Factor | Qms | | 4.93 | | Effective Piston Area | Sd | cm ² | 5.1 |
| Electrical Q Factor | Qes | 1.53 | | | Effective Volume | Vas | L | 0 |
| Total Q Factor | Qts | 1.17 | | | Motor Force Factor | BL | Tm | 1.98 |
| Ratio Fs/Qts | F | Fs/Qts | 1425.19 | | Motor Efficiency Factor | β | (T*M ²)/Ohms | 1.4 |
| Half Space Sensitivity @2.83V | db@2.83V/1M | dB | 98.77 | +/- 1.0db | Voice coil former Material | VCfm | KSV | 1.4 |
| Half Space Sensitivity @1W/1M | db@1W/1M | dB | 94.9 | +/- 1.0db | Voice coil inner diameter | VCd | mm | 25.4 |
| Gap Height | Gh | mm | 2 | | Rated Noise Power | P | W | 100 |
| Maximum Linear Excursion | Xmax | mm | 0 | | Test Spectrum Bandwidth | | 2.5kHz~20kHz | |
| Ferrofluid Type | FF | | APG027N | | Driver Size | Inch | 25 mm | |
| Driver Mass | Kg | 0.08 | | | | | | |

Frequency and Impedance Response



Highcharts.com