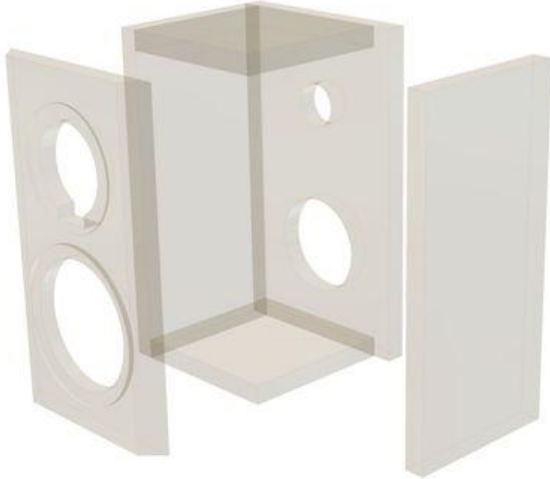


ARIA

Exploded Drawing



Assembly

The cabinet body uses 16 mm boards. First of all, cut the holes in the boards and apply the bevels. This can be done using an electric jigsaw or hand-held circular saw set to the required angle. Once the cabinet has been completed, apply the milling work for the loudspeaker. Finally, fit the cones.

Since the cabinets are relatively small, it is hardly possible to mount the crossover inside the housing. It can, however, simply be wrapped in damping material and placed inside the speaker if the rear wall is not removable.

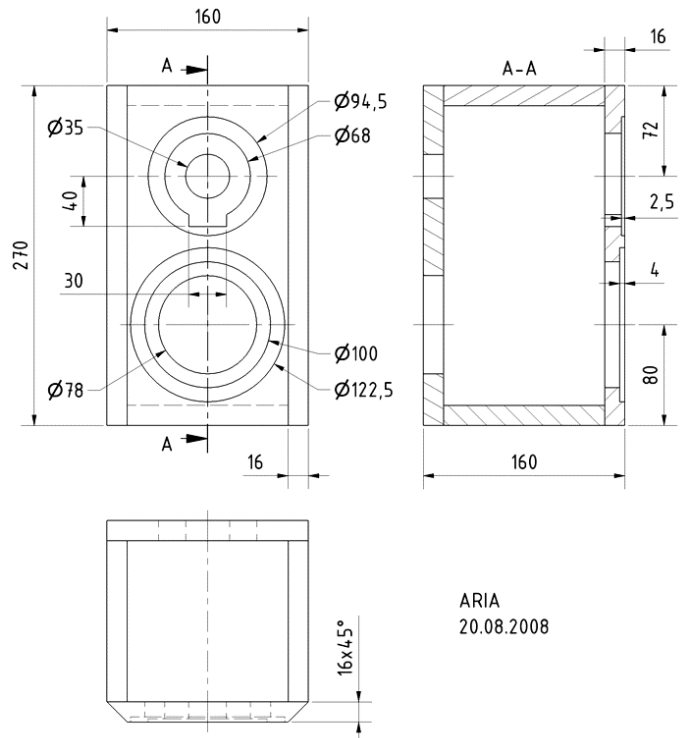
Inner damping

The damping material is loosely arranged in the cabinet.

Cabinet part list for 1 box

Parts	Size(mm)	Quantity
Material	16mm MDF or chipboard	
Front, rear panel	270 x 160	2
Side panel	270 x 128	2
Top, bottom panel	128 x 128	2

Sketch



Crossover

Aria (Stand 23.06.2015)

