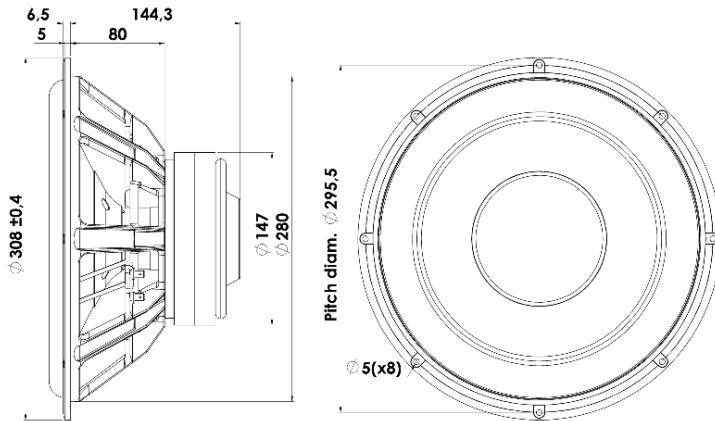


## 30 cm Subwoofer

## 30W/4558T06



### T-S Parameters:

Resonance frequency [fs]	17 Hz
Mechanical Q factor [Qms]	5.01
Electrical Q factor [Qes]	0.34
Total Q factor [Qts]	0.32
Force factor [Bl]	10.5 Tm
Mechanical resistance [Rms]	2.88 kg/s
Moving mass [Mms]	135 g
Compliance [Cms]	0.65 mm/N
Effective diaph. diameter [D]	244 mm
Effective piston area [Sd]	466 cm <sup>2</sup>
Equivalent volume [Vas]	197 l
Sensitivity (2,83V/1m)	89 dB

### Mechanical Data:

Voice coil diameter	51 mm
Voice coil height	33 mm
Voice coil layers	4
Gap height	8 mm
Linear excursion	± 12.5 mm
Max mech. excursion	± 28 mm
Unit weight	6.3 kg
Cabinet Displacement Volume	1.50 l

### Electrical Data:

Nominal impedance [Zn]	4 Ω
Minimum impedance [Zmin]	3.3 Ω
Maximum impedance [Zo]	40.9 Ω
DC resistance [Re]	2.6 Ω
Voice coil inductance [Le]	0.83 mH

### Power Handling:

100h RMS noise test (IEC 18.4)	150 W
Long-term max power (IEC 18.2)	350 W
X-over:	None

### Key Features:

- 56mm Peak Excursion, 25mm Linear
- High Output 89dB @ 2,83V
- Low Resonance Freq. 17Hz
- Anodized Alu Cone, Fibre Glass Dust Cap
- Magnet System w. Alu Ring
- Die cast Alu Chassis vented below spider

### Recommendations (please see Tech Note):

- Operating frequency range: fs-1500 Hz
- Cabinet volume - closed box: Vbox=67 ltr, f(-3dB)=34 Hz
- Cabinet volume - vented box: Vbox=132 ltr, fb=20 Hz, f(-3dB)=20 Hz

