

2 x 10” Bass Guitar Cabinet Kit

Thank you for purchasing the 2 x 10” bass guitar cabinet kit. This kit was precision cut using CNC machinery for the best possible fit and finish. With a little time and patience, your finished product will provide years of enjoyment. Please follow these instructions for the best possible results.

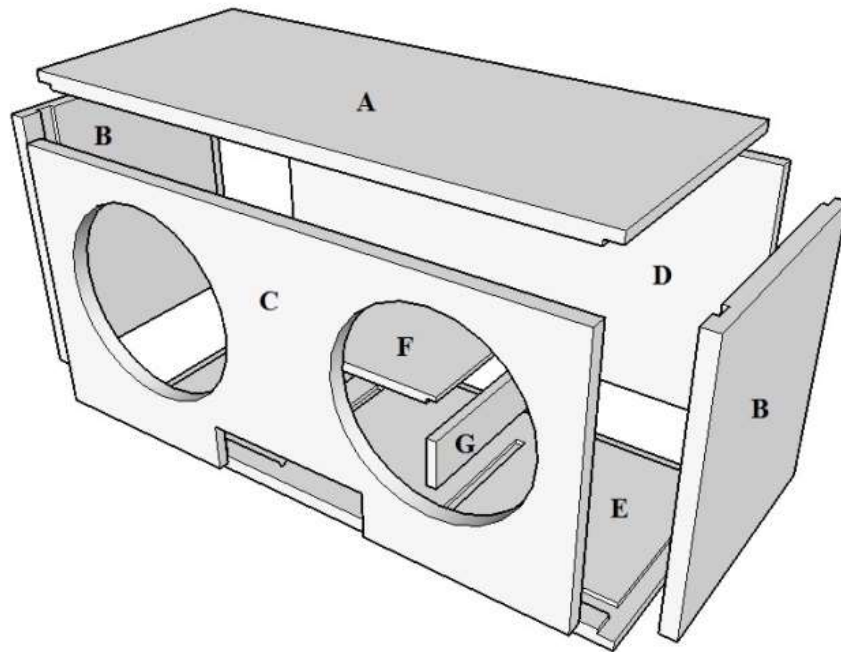
Suggested tools and consumables:

Wood clamps (you can never have too many of these)
Sanding block and/or electric finishing sander
Wood glue
Rubber mallet

Package contents:

First, empty the contents of the package and review parts to ensure everything has been included and is in good condition. If any parts are missing or damaged please contact our customer service department at 1-800-338-0531.

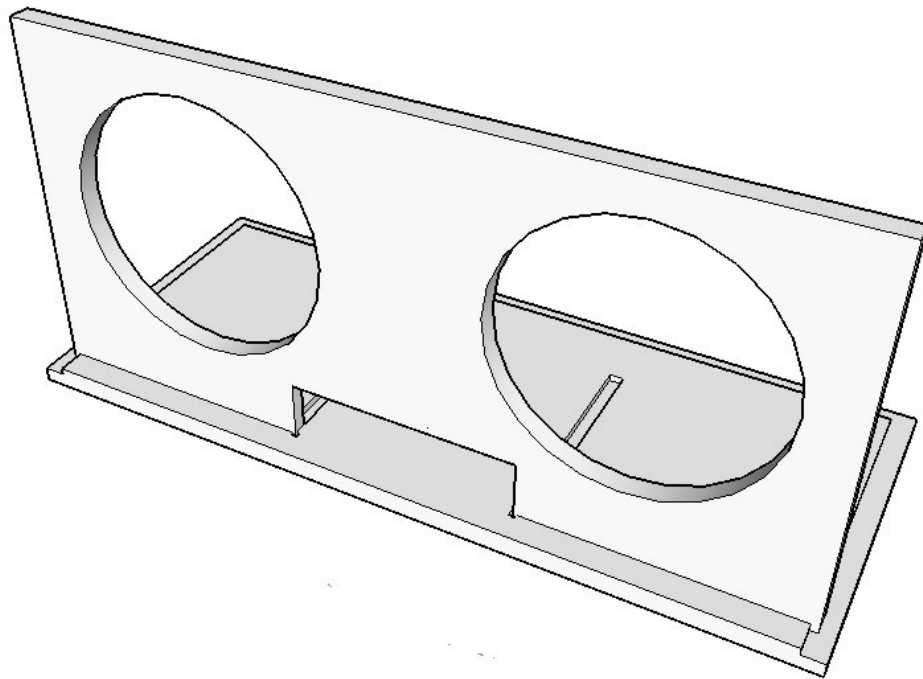
Enclosure:



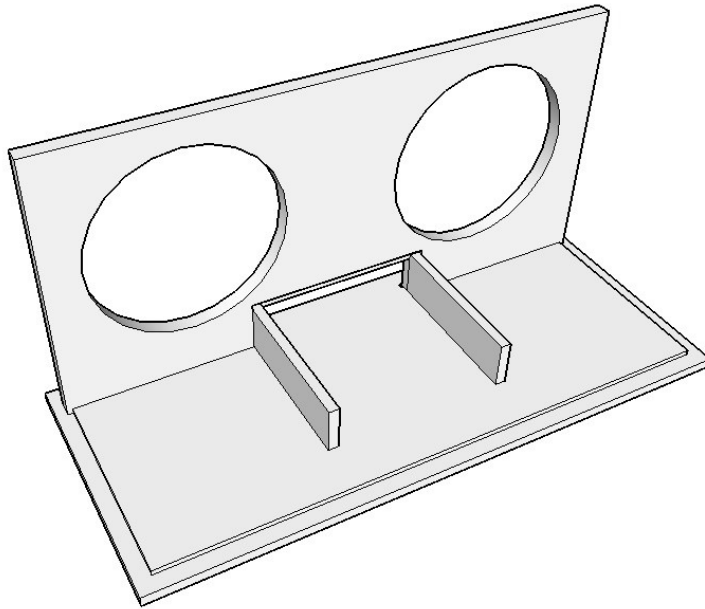
- A) 1 x Top Panel
- B) 2 x Side Panels
- C) 1 x Front Baffle
- D) 1 x Rear Panel
- E) 1 x Bottom Panel
- F) 1 x Top of Port Shelf
- G) 2 x Port Sides

Enclosure Assembly:

- 1) First, set the enclosure parts out on a flat level surface and ensure that all pieces are free of dust and debris.
- 2) With the bottom panel lying flat, place glue in the dado cuts on the bottom panel where the baffle will rest and install the front baffle in place as shown below.

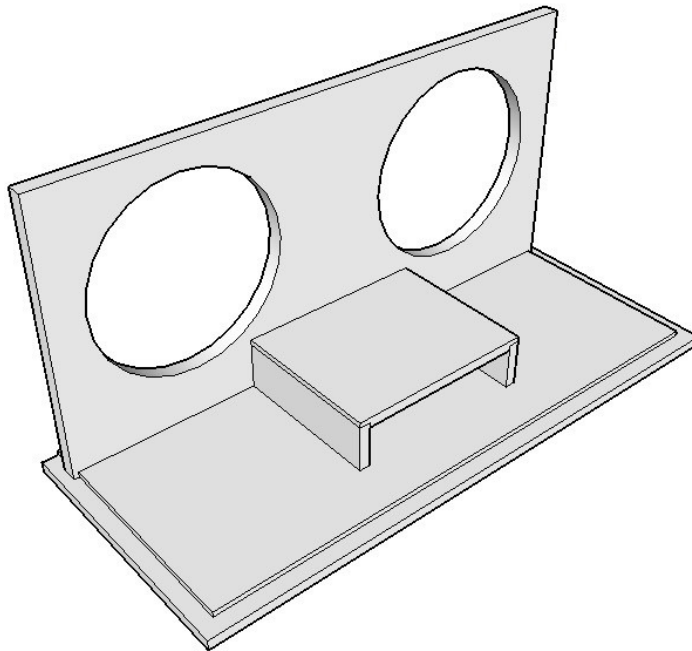


- 3) Before the glue dries, glue and install the two port sides as shown. Due to the tight tolerances with the CNC cut parts these may need a few light taps with a mallet to be set into place. These will also ensure the front baffle is aligned properly.



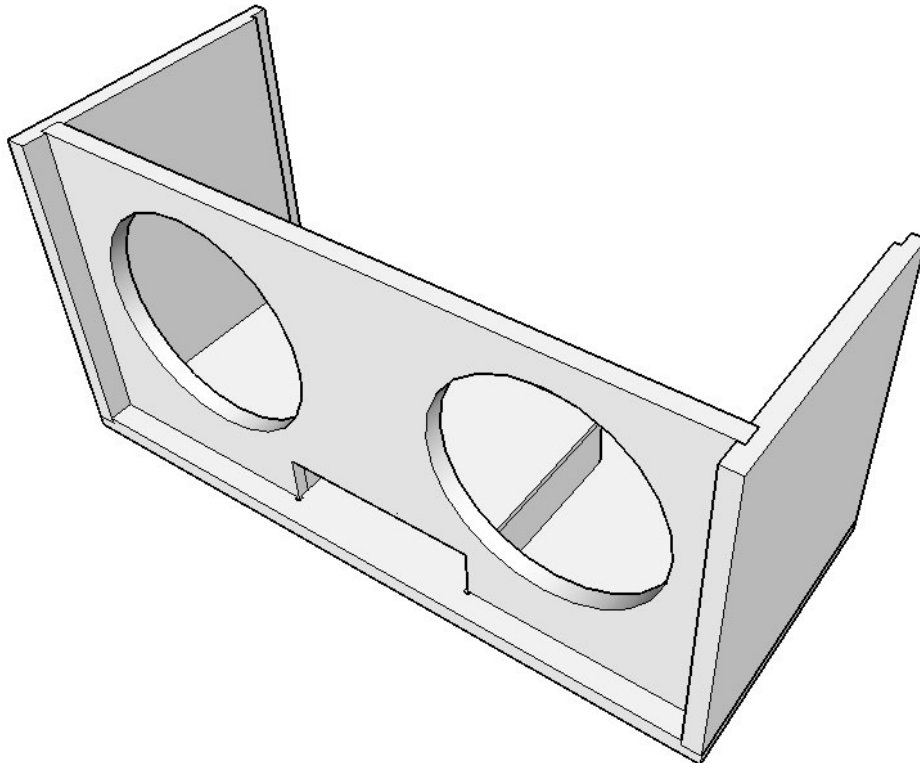
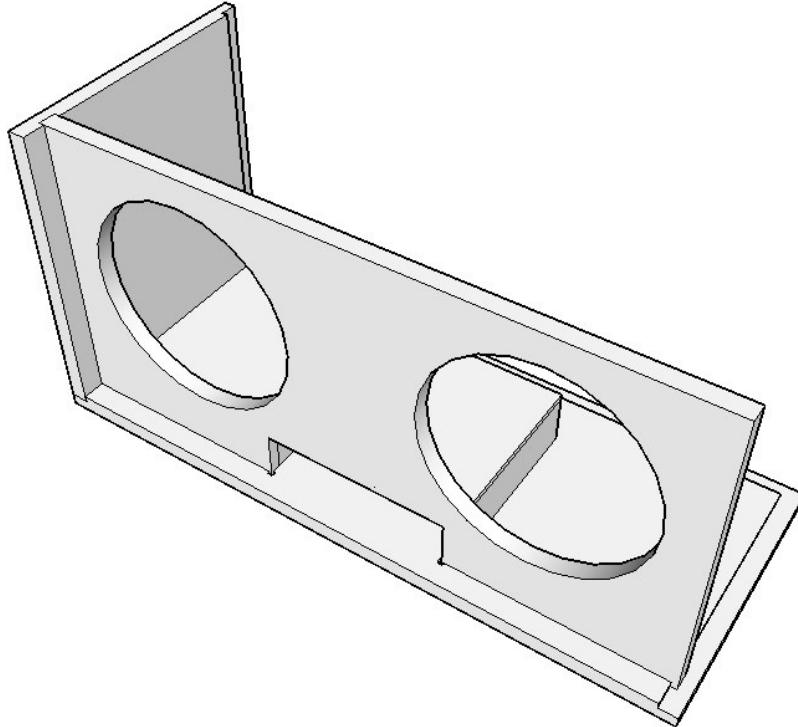
Rear view

- 4) Next, glue and install the port top panel as shown. This piece may also require a little mallet persuasion.

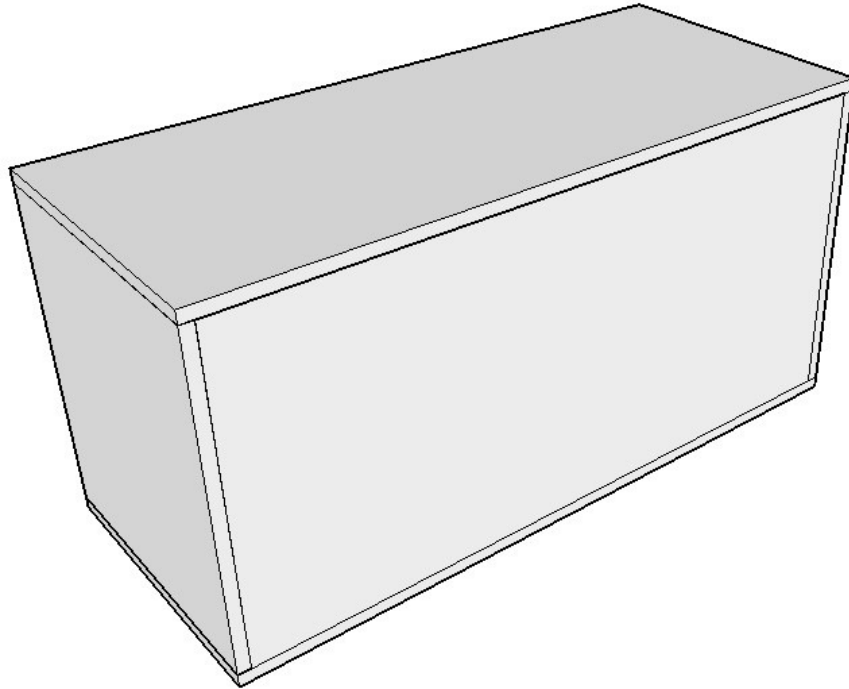


Rear View

- 5) Next, glue and install both side panels in the order shown below.



- 6) Next, glue and install the top panel, then the back panel as shown.



Rear View

- 7) Now you can clamp all pieces together and allow to dry per the glue manufacturers recommendations. We recommend at least two clamps on each side clamping top to bottom, and at least four clamps from front to back holding the back piece in place. The baffle and port pieces are held tightly enough by the other panels as to not require clamping.
- 8) Once the glue is dried, sand all overhanging edges flush and finish to your liking. This cabinet is tuned to 40 Hz and is designed to be used with almost all 10" bass guitar speakers on the market. Once you have chosen your drivers you will also need to install a connector of your choice for connecting to your amplifier. Common connectors are 1/4" and Speakon.
- 9) You are now ready to enjoy your 2 x 10" bass guitar speaker cabinet!

