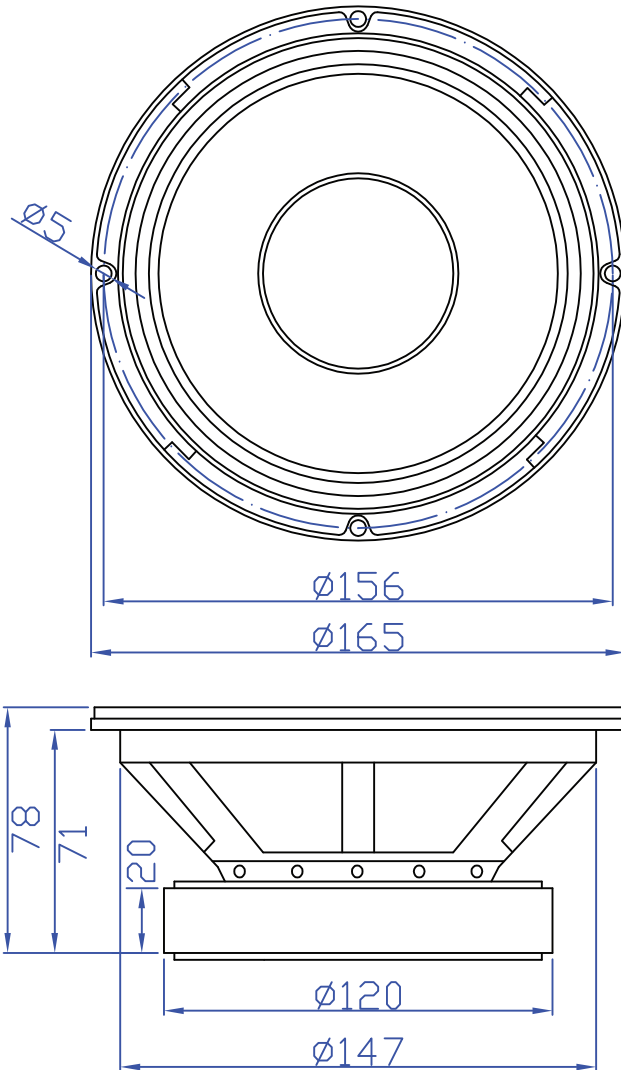




6PT-8

6" Professional Midbass

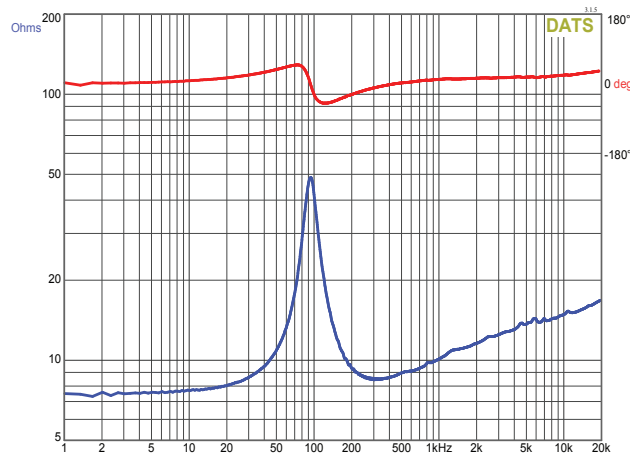
MECHANICAL DRAWING



FEATURES

- Lightweight damped paper cone allows high efficiency with minimal resonance
- Smooth on and off axis response for use in high output 2 or 3-way designs
- Extensive venting keeps cool air flowing across the voice coil to minimize power compression
- Inductance lowering copper cap reduces distortion and extends high frequency response
- Spring-loaded push-button terminals makes wire connections quick and easy
- Foam front gasket ensures an airtight seal for rear mount installations

IMPEDANCE/PHASE

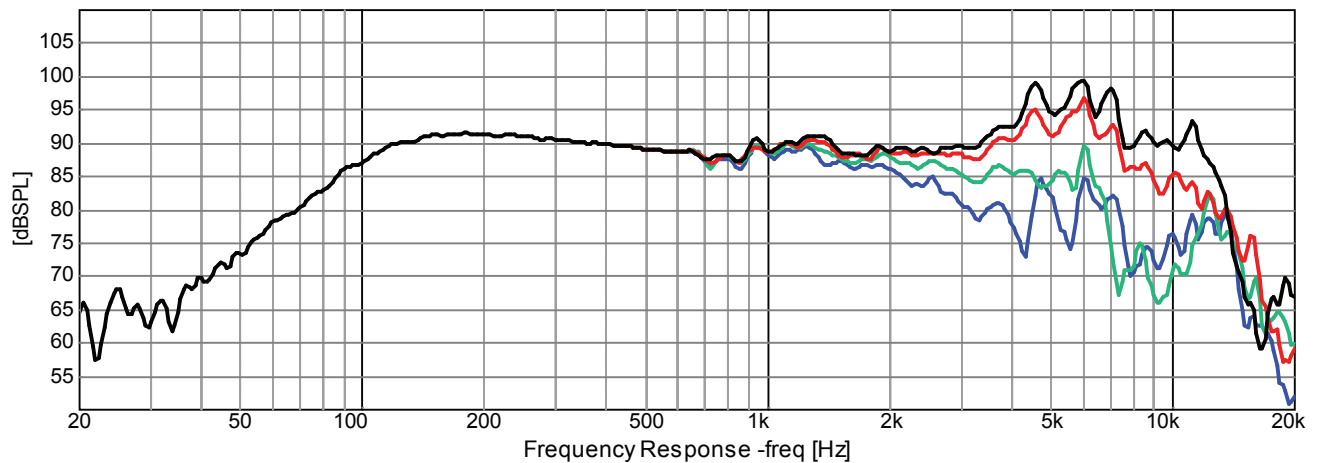


PARAMETERS

Impedance	8 ohms
Re	7.4 ohms
Le	1.1 mH
Fs	94 Hz
Qms	4.74
Qes	0.85
Qts	0.72
Mms	8 g
Cms	0.36 mm/N
Sd	136.6 cm ²
Vd	57.25 cm ³
BL	6.4 Tm
Vas	9.5 liters
Xmax	4.2 mm*
Top Plate Height	5 mm
Voice Coil Length	10 mm
VC Diameter	41 mm
SPL	92 @ 2.83V/1m
RMS Power Handling (AES 426B)	100 watts
Usable Frequency Range (Hz)	55 - 11,000 Hz

$$* X_{max} = \left[\frac{\text{Voice Coil Length} - \text{Top Plate Height}}{2} \right] + 1/3 \text{ Top Plate Height}$$

FREQUENCY RESPONSE



OmniMic

Note: 1/24th octave smoothing - nearfield response included in graph below 450 Hz.