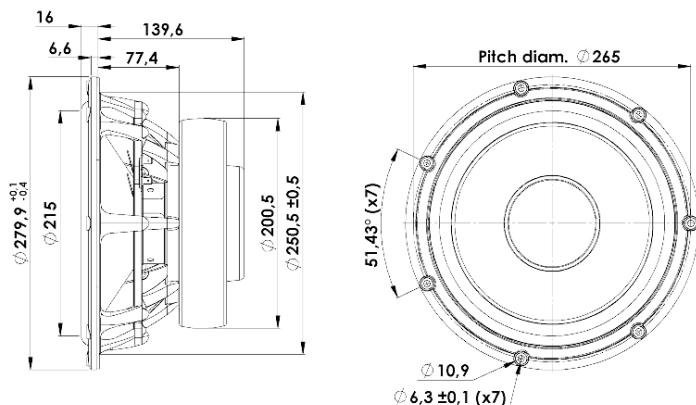


28 cm Woofer

28W/8878T01



T-S Parameters:

Resonance frequency [fs]	22 Hz
Mechanical Q factor [Qms]	5.81
Electrical Q factor [Qes]	0.33
Total Q factor [Qts]	0.31
Force factor [Bl]	14.9 Tm
Mechanical resistance [Rms]	2.0 kg/s
Moving mass [Mms]	84 g
Compliance [Cms]	0.62 mm/N
Effective diaph. diameter [D]	215 mm
Effective piston area [Sd]	363 cm ²
Equivalent volume [Vas]	116 l
Sensitivity (2,83V/1m)	88.5 dB

Mechanical Data:

Voice coil diameter	75 mm
Voice coil height	23 mm
Voice coil layers	2
Gap height	8 mm
Linear excursion	± 7.5 mm
Max mech. excursion	± 28 mm
Unit weight	7.5 kg
Cabinet Displacement Volume	2.23 l

Electrical Data:

Nominal impedance [Zn]	8 Ω
Minimum impedance [Zmin]	7.4 Ω
Maximum impedance [Zo]	136 Ω
DC resistance [Re]	6.3 Ω
Voice coil inductance [Le]	0.55 mH

Power Handling:

100h RMS noise test (IEC 18.4)	200 W
Long-term max power (IEC 18.2)	500 W
X-over: 2. order LP Butterworth, 200 Hz	

Key Features:

- Paper sandwich cone
- Spider with balanced tinsel leads
- 3" Voice coil, Titanium former, paper reinforced
- Patented Symmetrical Drive motor
- Long linear excursion
- Stiff and strong die cast aluminium chassis

Recommendations (please see Tech Note):

- Operating frequency range: fs-1000 Hz
- Cabinet volume - closed box: Vbox=31 ltr, f(-3dB)=48 Hz
- Cabinet volume - vented box: Vbox=57 ltr, fb=27 Hz, f(-3dB)=30 Hz

