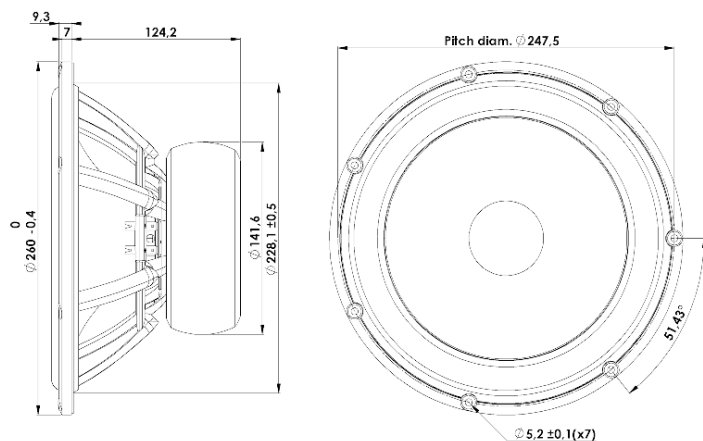


26 cm Woofer

26W/8861T00



### T-S Parameters:

Resonance frequency [fs]	19 Hz
Mechanical Q factor [Qms]	5.20
Electrical Q factor [Qes]	0.33
Total Q factor [Qts]	0.31
Force factor [Bl]	9.9 Tm
Mechanical resistance [Rms]	1.00 kg/s
Moving mass [Mms]	43.5 g
Compliance [Cms]	1.61 mm/N
Effective diaph. diameter [D]	202 mm
Effective piston area [Sd]	320 cm <sup>2</sup>
Equivalent volume [Vas]	231 l
Sensitivity (2,83V/1m)	88.5 dB

### Mechanical Data:

Voice coil diameter	50 mm
Voice coil height	24 mm
Voice coil layers	2
Gap height	6 mm
Linear excursion	± 9 mm
Max mech. excursion	± 14 mm
Unit weight	3.7 kg
Cabinet Displacement Volume	1.31 l

### Electrical Data:

Nominal impedance [Zn]	8 Ω
Minimum impedance [Zmin]	7.1 Ω
Maximum impedance [Zo]	104 Ω
DC resistance [Re]	6.2 Ω
Voice coil inductance [Le]	0.35 mH

### Power Handling:

100h RMS noise test (IEC 18.4)	80 W
Long-term max power (IEC 18.2)	200 W
X-over:	None

### Key Features:

- Patented Symmetrical Drive Motor Design
- Rigid Paper Cone
- Low-Loss linear suspension
- Low Damping SBR Rubber Surround
- Die cast Alu Chassis vented below spider
- Ferrite Magnet System w. Rubber Boot

### Recommendations (please see Tech Note):

- Operating frequency range: fs-1500 Hz
- Cabinet volume - closed box: Vbox=62 ltr, f(-3dB)=41 Hz
- Cabinet volume - vented box: Vbox=113 ltr, fb=24 Hz, f(-3dB)=26 Hz

