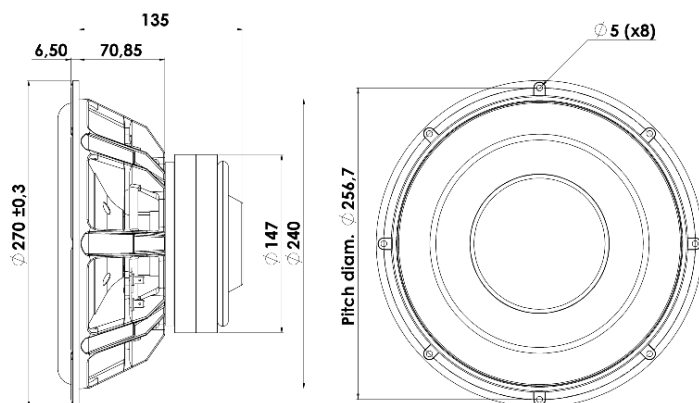


26 cm Subwoofer

26W/4558T06



T-S Parameters:

Resonance frequency [fs]	21 Hz
Mechanical Q factor [Qms]	5.56
Electrical Q factor [Qes]	0.33
Total Q factor [Qts]	0.31
Force factor [Bl]	10.5 Tm
Mechanical resistance [Rms]	2.49 kg/s
Moving mass [Mms]	105 g
Compliance [Cms]	0.55 mm/N
Effective diaph. diameter [D]	212 mm
Effective piston area [Sd]	352 cm ²
Equivalent volume [Vas]	94.9 l
Sensitivity (2,83V/1m)	88 dB

Mechanical Data:

Voice coil diameter	51 mm
Voice coil height	33 mm
Voice coil layers	4
Gap height	8 mm
Linear excursion	± 12.5 mm
Max mech. excursion	± 28 mm
Unit weight	6.2 kg
Cabinet Displacement Volume	1.35 l

Electrical Data:

Nominal impedance [Zn]	4 Ω
Minimum impedance [Zmin]	3.3 Ω
Maximum impedance [Zo]	46.8 Ω
DC resistance [Re]	2.6 Ω
Voice coil inductance [Le]	0.83 mH

Power Handling:

100h RMS noise test (IEC 18.4)	150 W
Long-term max power (IEC 18.2)	350 W
X-over:	None

Key Features:

- 56mm Peak Excursion, 25mm Linear
- High Output 88dB @ 2,83V
- Low Resonance Freq. 21Hz
- Anodized Alu Cone, Fibre Glass Dust Cap
- Magnet System w. Alu Ring
- Die cast Alu Chassis vented below spider

Recommendations (please see Tech Note):

- Operating frequency range: fs-1500 Hz
- Cabinet volume - closed box: Vbox=30 ltr, f(-3dB)=43 Hz
- Cabinet volume - vented box: Vbox=57 ltr, fb=25 Hz, f(-3dB)=26 Hz

