

Model No.: GBS-85N25PR03-04
 Product Line: Tymphany

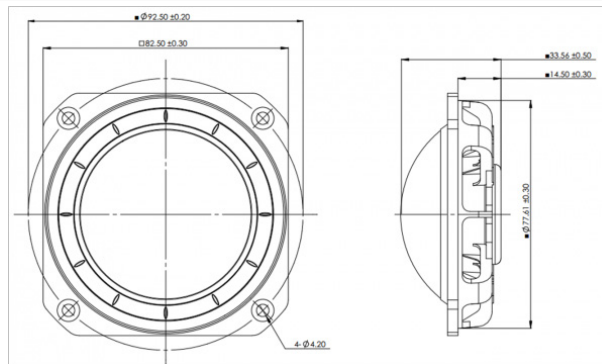
Rev: 1
 Last Update: 2018-09-10 19:39:32

Product Description

This 3.5 inch 4ohm tansducer member of the GBS family provides a very slim woofer capable of large excursion. A highly optimized Neo magnets and unique suspension layout combine to give a cost effective solution in a previously unavailable package.



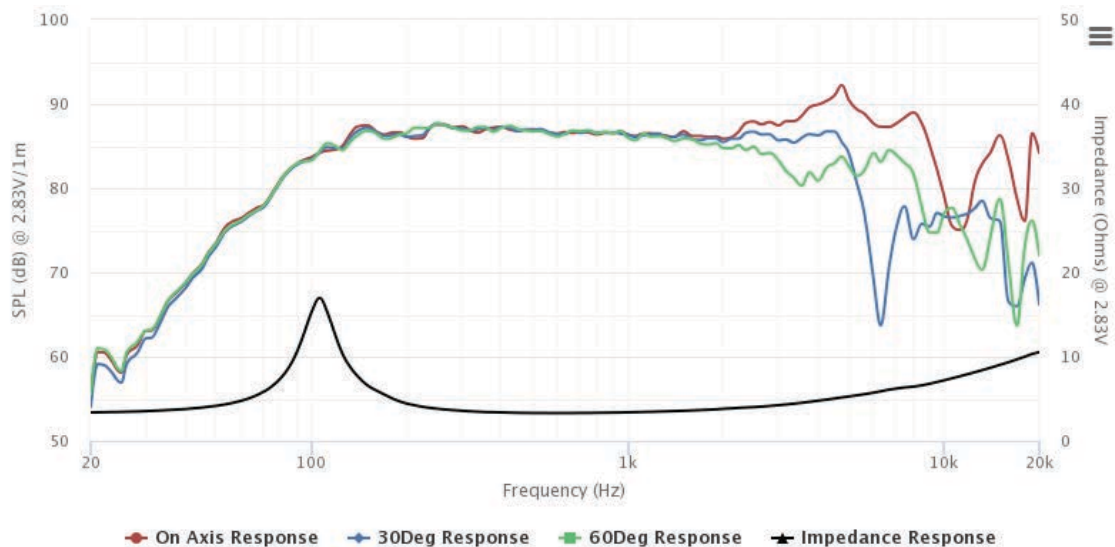
Mechanical Drawing



Specifications

DC Resistance	Revc	Ohms	3.12	5.0%	Energy Bandwidth Product	EBP	$(1/Qes) \cdot fs$
Minimum Impedance	Zmin	Ohms	3.3	7.5%	Moving Mass	Mms	g
Voice Coil Inductance	Le	mH	0.06		Suspension Compliance	Cms	um/N
Resonant Frequency	Fs	Hz	86.74	15%	Effective Cone diameter	D	cm
Mechanical Q Factor	Qms		4.39		Effective Piston Area	Sd	cm ²
Electrical Q Factor	Qes		0.73		Effective Volume	Vas	L
Total Q Factor	Qts		0.63		Motor Force Factor	BL	Tm
Ratio Fs/Qts	F	Fs/Qts	138.12		Motor Efficiency Factor	β	$(T \cdot M^2) / \text{Ohms}$
Half Space Sensitivity @2.83V	db@2.83V/1M	dB	86.64	+/- 1.0db	Voice coil former Material	VCfm	ASV
Half Space Sensitivity @1W/1M	db@1W/1M	dB	82.8	+/- 1.0db	Voice coil inner diameter	VCd	mm
Gap Height	Gh	mm	3		Rated Noise Power	P	W
Maximum Linear Excursion	Xmax	mm	2.1		Test Spectrum Bandwidth		
Ferrofluid Type	FF		Na		Driver Size	Inch	3.5 in
Driver Mass	Kg		0.13				

Frequency and Impedance Response



Highcharts.com